



## COMPRESSOR PKO 24 B2

GB

### COMPRESSOR

Operating and Safety Instructions  
Translation of Original Operating Manual

SI

### KOMPRESOR

Navodila za upravljanje in varnostna opozorila  
Prevod originalnega navodila za uporabo

SK

### KOMPRESOR

Pokyny pre obsluhu a bezpečnostné pokyny  
Preklad originálneho návodu na obsluhu

HU

### KOMPRESSZOR

Kezelési és biztonsági útmutató  
Az eredeti használati útmutató fordítása

CZ

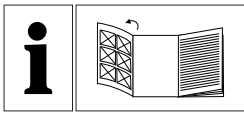
### KOMPRESOR

Pokyny pro obsluhu a bezpečnostní pokyny  
Překlad originálního provozního návodu

DE AT CH

### KOMPRESSOR

Bedienungs- und Sicherheitshinweise  
Originalbetriebsanleitung



GB

Before reading, unfold the page containing the illustrations and familiarise yourself with all functions of the device.

---

HU

Olvasás előtt kattintson az ábrát tartalmazó oldalra és végezetül ismerje meg a készülék mindegyik funkcióját.

---

SI

Pred branjem odprite stran s slikami in se nato seznanite z vsemi funkcijami naprave.

---

CZ

Před čtením si otevřete stranu s obrázky a potom se seznámte se všemi funkcemi přístroje.

---

SK

Pred čítaním si odklopte stranu s obrázkami a potom sa oboznámte so všetkými funkciami prístroja.

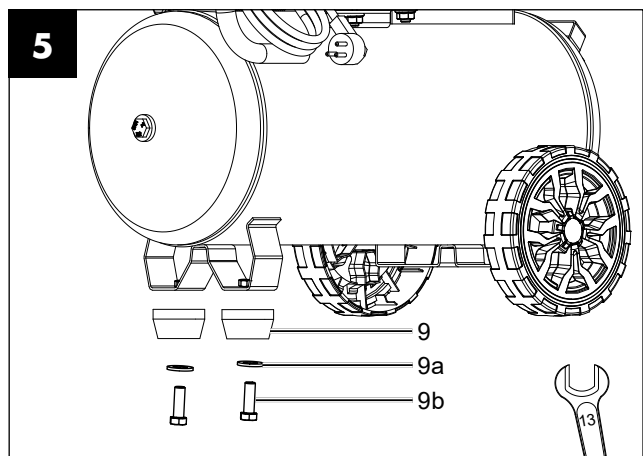
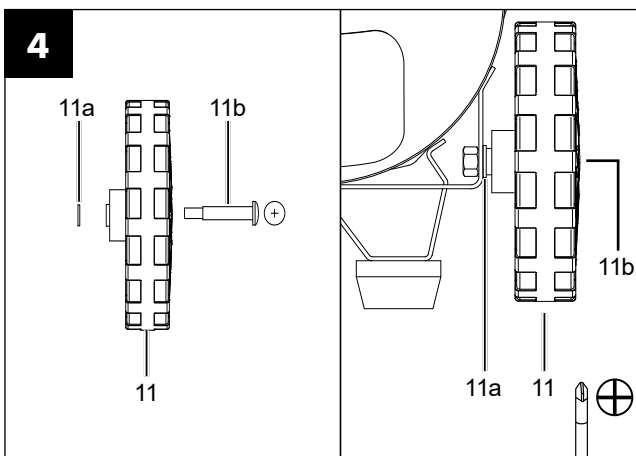
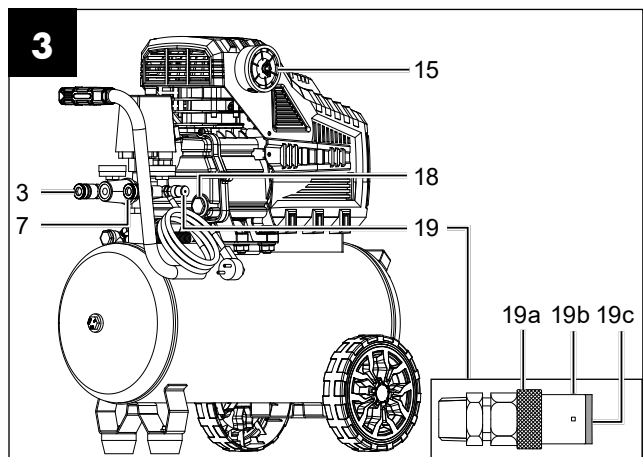
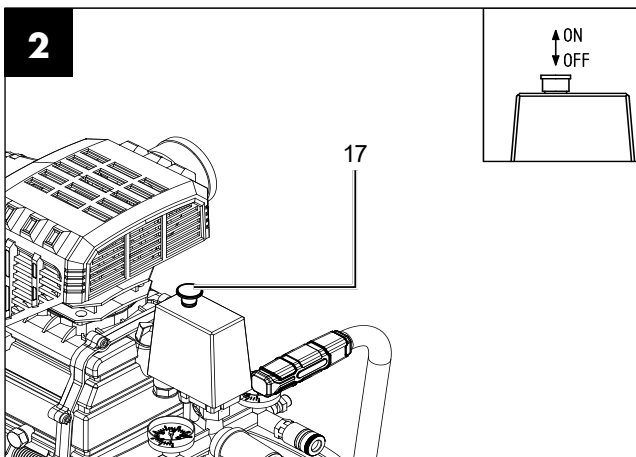
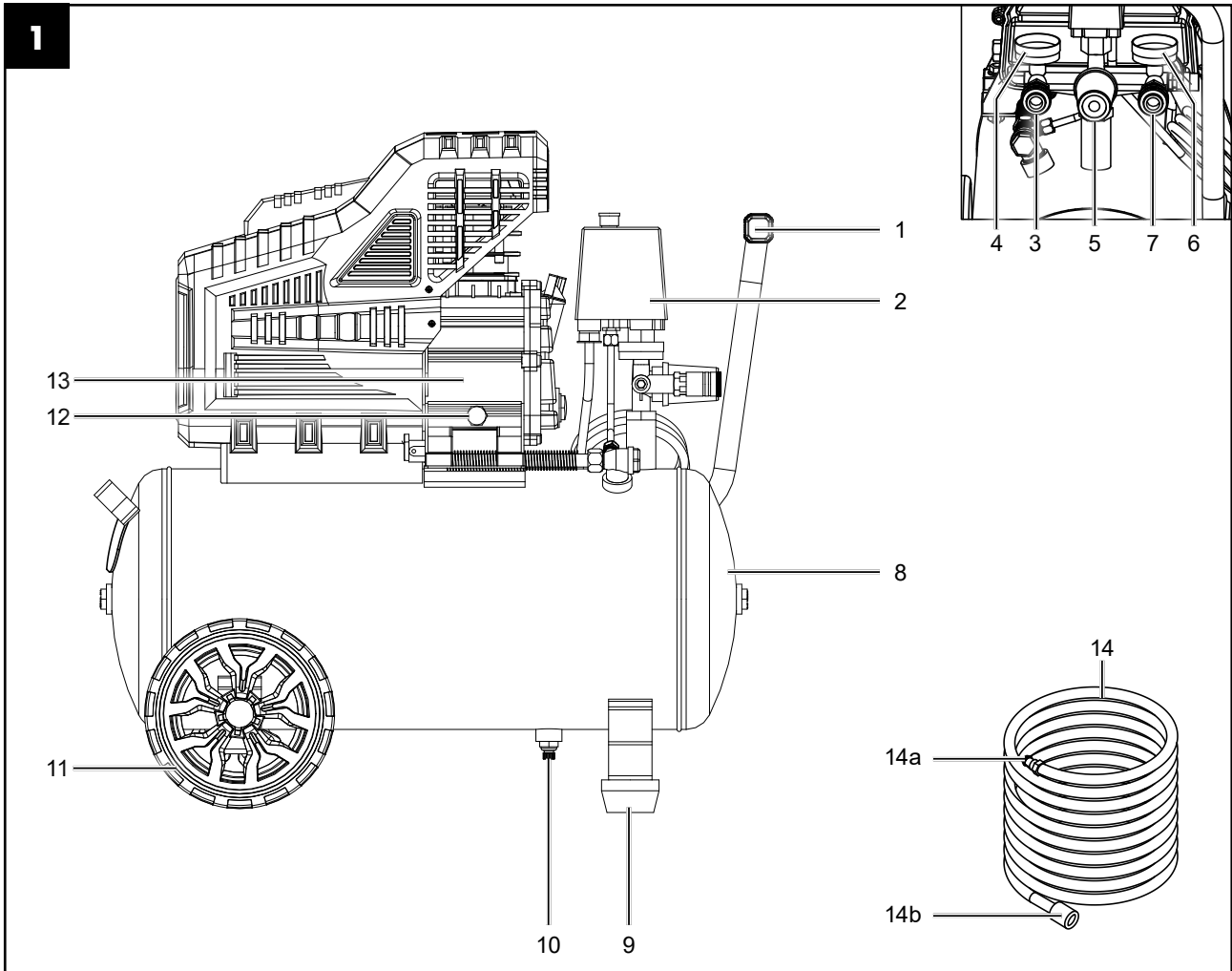
---

DE AT CH

Klappen Sie vor dem Lesen die Seite mit den Abbildungen aus und machen Sie sich anschließend mit allen Funktionen des Gerätes vertraut.

---

GB	Operating and Safety Instructions	Page	01
HU	Kezelési és biztonsági útmutató	Oldal	11
SI	Navodila za upravljanje in varnostna opozorila	Stran	22
CZ	Pokyny pro obsluhu a bezpečnostní pokyny	Strana	32
SK	Pokyny pre obsluhu a bezpečnostné pokyny	Strana	42
DE / AT / CH	Bedienungs- und Sicherheitshinweise	Seite	52



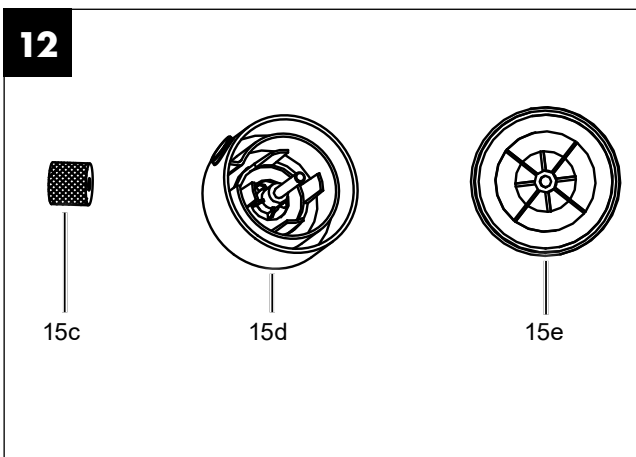
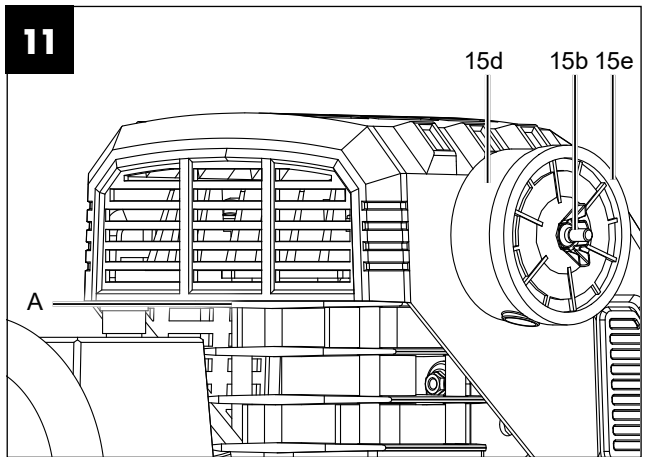
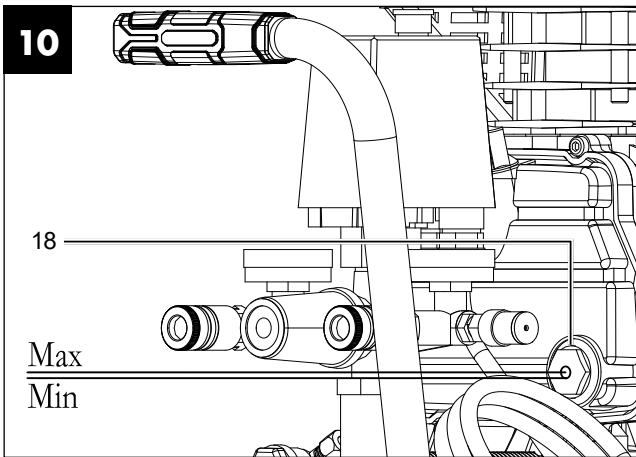
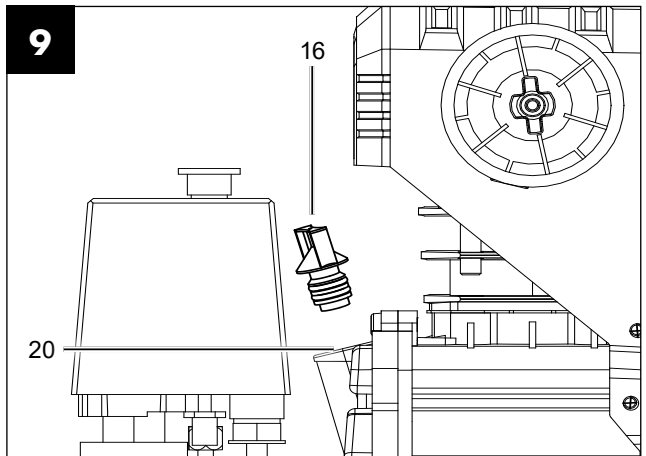
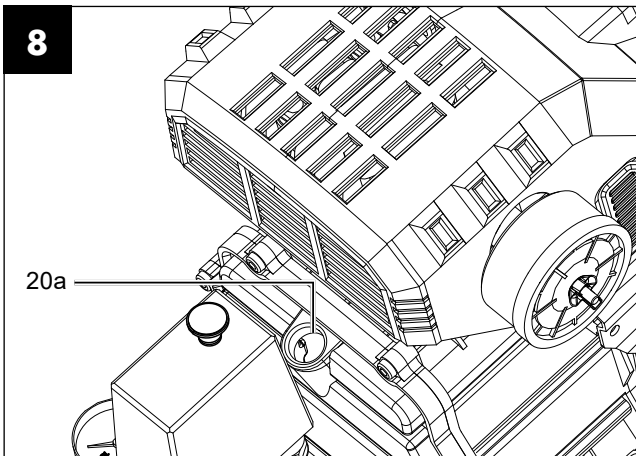
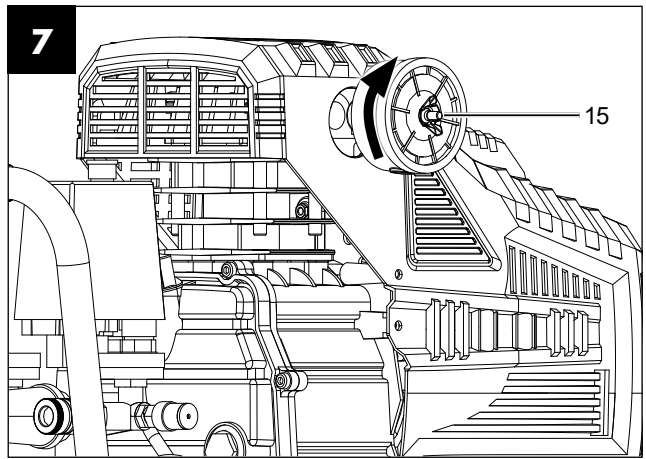
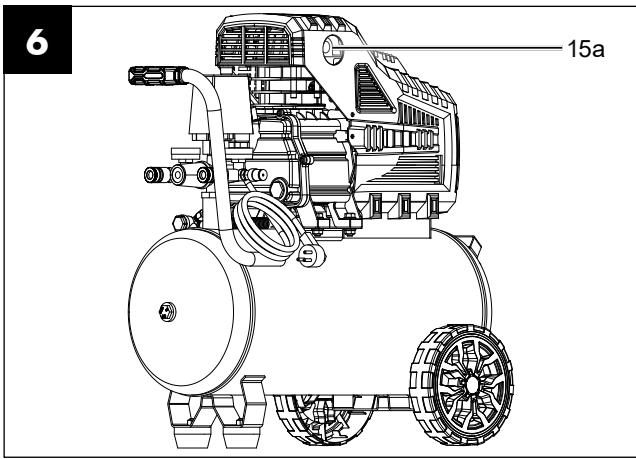


Table of contents:

Page:

---

1.	Explanation of the symbols on the device .....	2
2.	Introduction.....	3
3.	Device description (fig. 1-12).....	3
4.	Scope of delivery .....	3
5.	Proper use.....	3
6.	Safety information.....	4
7.	Technical data .....	5
8.	Before commissioning .....	6
9.	Attachment and operation.....	6
10.	Electrical connection .....	7
11.	Cleaning, maintenance and storage.....	7
12.	Transport.....	8
13.	Disposal and recycling .....	8
14.	Troubleshooting.....	9
15.	Warranty certificate .....	10
16.	Declaration of conformity.....	63

## 1. Explanation of the symbols on the device



GB

Read the operating and safety instructions before start-up and follow them!



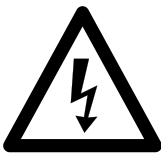
GB

Wear hearing protection. Excessive noise can result in a loss of hearing.



GB

Warning against hot parts! (A fig. 11)



GB

Warning against electrical voltage



GB

Warning! The equipment may start automatically without warning.



GB

Attention! Prior to initial commissioning, check the oil level and replace the oil sealing plug!



GB

Observe warnings and safety instructions!



GB

Sound power level specified in dB



GB

Do not expose the device to rain!

## 2. Introduction

### Manufacturer:

scheppach  
Fabrikation von Holzbearbeitungsmaschinen GmbH  
Günzburger Straße 69  
D-89335 Ichenhausen

### Dear customer,

We hope your new tool brings you much enjoyment and success.

### Note:

In accordance with the applicable product liability laws, the manufacturer of this device assumes no liability for damage to the device or caused by the device arising from:

- Improper handling,
- Non-compliance with the operating manual,
- Repairs carried out by third parties, unauthorised specialists.
- Installing and replacing non-original spare parts,
- Application other than specified,
- Failures of the electrical system in the event of the electrical regulations and VDE provisions 0100, DIN 57113 / VDE 0113 not being observed.

### Please consider:

Read through the complete text in the operating manual before installing and commissioning the device.

This operating manual should help you familiarise yourself with your power tool and teach you how to use it for its intended purpose.

The operating manual includes important instructions for the safe, proper and economic operation of the machine, for avoiding danger, for minimising repair costs and downtimes and for increasing the reliability and extending the service life of the machine.

In addition to the safety instructions in this operating manual, you must also observe the regulations applicable to the operation of the machine in your country.

Keep the operating manual package with the power tool at all times and store it in a plastic cover to protect it from dirt and moisture. They must be read and carefully observed by all operating personnel before starting the work. The power tool may only be used by personnel who have been trained to use it and who have been instructed with respect to the associated hazards. The required minimum age must be observed.

In addition to the safety instructions in this operating manual and the separate regulations of your country, the generally recognised technical rules relating to the operation of such machines must also be observed.

We accept no liability for accidents or damage that occur due to a failure to observe this manual and the safety instructions.

## 3. Device description (fig. 1-12)

1. Transport handle
2. Pressure switch
3. Quick coupling (regulated compressed air)
4. Pressure gauge (set pressure can be read off)
5. Pressure regulator
6. Pressure gauge (vessel pressure can be read off)
7. Quick coupling (unregulated compressed air)
8. Pressure vessel
9. Supporting foot
- 9a. Washer
- 9b. Screw
10. Drain screw for condensate
11. Wheel
- 11a. Washer
- 11b. Fillister head screw
12. Oil drain screw
13. Compressor pump
14. Compressed air hose
- 14a. Plug nipple
- 14b. Quick coupling
15. Air filter
- 15a. Transport lid
- 15b. Wing screw
- 15c. Filter element
- 15d. Filter housing
- 15e. Filter cover
16. Oil sealing plug
17. On/off switch
18. Oil-level window
19. Safety valve
- 19a. Exhaust nut
- 19b. Connection lock
- 19c. Cap of exhaust nut
20. Oil filling opening
- 20a. Transport lid

## 4. Scope of delivery

- 1x air filter
- 2x supporting foot
- 2x wheel
- 1x assembly material
- 1x oil sealing plug
- 1x oil bottle
- 1x compressed air hose
- 1x operating manual

## 5. Proper use

The compressor is designed to generate compressed air for compressed-air driven tools which can be driven with an air volume of up to approx. 180 l/min (e. g. tire inflator, blow-out pistol and paint spray gun). Due to the limited air output it is not possible to use the compressor to drive tools with very high air consumption (for example orbital sanders, die grinders and hammer screwdrivers).

The machine may only be used in the intended manner. Any use beyond this is improper. The user/operator, not the manufacturer, is responsible for damages or injuries of any type resulting from this.

Please observe that our equipment was not designed with the intention of use for commercial or industrial purposes. We assume no guarantee if the equipment is used in commercial or industrial applications, or for equivalent work.

## 6. Safety information

### ⚠ Attention!

The following basic safety measures must be observed when using power tools for protection against electric shock, and the risk of injury and fire. Read all these notices before using the power tool and store the safety instructions well for later reference.

### Safe work

1. Keep the work area orderly
  - Disorder in the work area can lead to accidents.
2. Take environmental influences into account
  - Do not expose power tools to rain.
  - Do not use power tools in a damp or wet environment. There is a risk of electric shock!
  - Make sure that the work area is well-illuminated.
  - Do not use power tools where there is a risk of fire or explosion.
3. Protect yourself from electric shock
  - Avoid physical contact with earthed parts (e. g. pipes, radiators, electric ranges, cooling units).
4. Keep away from children!
  - Do not allow other persons to touch the equipment or cable, keep them away from your work area.
5. Securely store unused power tools
  - Unused power tools should be stored in a dry, elevated or closed location out of the reach of children.
6. Do not overload your power tool
  - They work better and more safely in the specified output range.
7. Wear suitable clothing
  - Do not wear wide clothing or jewellery, which can become entangled in moving parts.
  - Rubber gloves and anti-slip footwear are recommended when working outdoors.
  - Tie long hair back in a hair net.
8. Do not use the cable for purposes for which it is not intended
  - Do not use the cable to pull the plug out of the outlet. Protect the cable from heat, oil and sharp edges.
9. Take care of your tools
  - Keep your compressor clean in order to work well and safely.
  - Follow the maintenance instructions.
  - Check the connection cable of the power tool regularly and have it replaced by a recognised specialist when damaged.
  - Check extension cables regularly and replace them when damaged.
10. Pull the connector out of the socket
  - When the power tool is not in use or prior to maintenance and when replacing tools such as saw blades, bits, milling heads.
11. Avoid inadvertent starting
  - Make sure that the switch is switched off when plugging the plug into an outlet.
12. Use extension cables for outdoors
  - Only use approved and appropriately identified extension cables for use outdoors.
  - Only use cable reels in the unrolled state.
13. Always remain attentive
  - Pay attention to what you are doing. Remain sensible when working. Do not use the power tool when you are distracted.
14. Check the power tool for potential damage
  - Protective devices or other parts with minor damage must be carefully inspected to ensure that they function correctly and as intended prior to continued use of the power tool.
  - Check whether the moving parts function faultlessly and do not jam or whether parts are damaged. All parts must be correctly mounted and all conditions must be fulfilled to ensure fault-free operation of the power tool.
  - Damaged protective devices and parts must be properly repaired or replaced by a recognised workshop, insofar as nothing different is specified in the operating manual.
  - Damaged switches must be replaced at a customer service workshop.
  - Do not use any faulty or damaged connection cables.
  - Do not use any power tool on which the switch cannot be switched on and off.
15. Have your power tool repaired by a qualified electrician
  - This power tool conforms to the applicable safety regulations. Repairs may only be performed by an electrician using original spare parts. Otherwise accidents can occur.
16. Attention!
  - For your own safety, only use accessories and additional equipment that are indicated in the operating manual or have been recommended or indicated by the manufacturer. Use of other tools or accessories that those recommended in the operating manual or in the catalogue could represent a personal danger to you.
17. Noise
  - Wear hearing protection when using the compressor.
18. Replacing the connection line
  - If the connection line is damaged, it must be replaced by the manufacturer or an electrician to avoid danger. There is a risk of electric shock.
19. Inflating tyres
  - Directly after inflating tyres, check the pressure with a suitable pressure gauge, for example at your filling station.
20. Street-legal compressors in construction site operation
  - Ensure that all hoses and fixtures are suitable for the maximum permissible working pressure of the compressor.
21. Set-up location
  - Only set up the compressor on a flat surface.



22. In case of pressures above 7 bar, it is recommended to equip supply hoses with a safety cable (e. g. a wire rope).
23. Avoid over-stressing the piping system by using flexible hose connections to prevent kinking.
24. Ensure that oil cooling devices are kept clean and protective devices remain in operational condition.
25. Risk of burns from hot oil
  - Wear suitable protective gloves.
  - Never work with the compressor near naked flames.
  - Be careful not to spill oil.
26. Motor start-up is prohibited at low temperatures below 0 °C.

### Additional safety instructions

#### Safety instructions for working with compressed air and blasting guns

- The compressor pump and lines can become very hot during operation. Touching these parts will burn you.
- The air which is sucked in by the compressor must be kept free of impurities that could cause fires or explosions in the compressor pump.
- When releasing the hose coupling, hold the hose coupling piece with your hand. This way, you can protect yourself against injury from the rebounding hose.
- Wear safety goggles when working with the blow-out pistol. Foreign bodies or blown off parts can easily cause injuries.
- Do not blow at people with the blow-out pistol and do not clean clothes while being worn. Danger of injury!

#### Safety information for paint spraying

- Do not process any paints or solvents with a flash point below 55° C. Risk of explosion!
- Do not heat up paints or solvents. Risk of explosion!
- If hazardous liquids are processed, wear protective filter units (face guards). Also, adhere to the safety information provided by the manufacturers of such liquids.
- The details and designations of the Ordinance on Hazardous Substances, which are displayed on the outer packaging of the processed material, must be observed. Additional protective measures are to be undertaken if necessary, particularly the wearing of suitable clothing and masks.
- Do not smoke during the spraying process and/or in the work area. Risk of explosion! Paint vapours are easily combustible.
- Never set up or operate the equipment in the vicinity of a fire place, open lights or sparking machines.
- Do not store or eat food and drink in the work area. Paint vapours are harmful to your health.
- The work area must exceed 30 m<sup>3</sup> and sufficient ventilation must be ensured during spraying and drying.
- Do not spray against the wind. Always adhere to the regulations of the local police authority when spraying combustible or hazardous materials.
- Do not process media such as white spirit, butyl alcohol and methylene chloride with the PVC pressure hose. These media will destroy the pressure hose.
- When used in conjunction with spray accessories (e. g. a paint spray gun): Keep distance to the device while filling the spray equipment and do not spray towards the compressor.

### Operation of pressure vessels

- Anyone who operates a pressure vessel must keep this in good working order, operate and monitor it correctly, perform the necessary maintenance and servicing works immediately and implement safety measures as required according to the circumstances.
- The regulatory authority can instruct necessary monitoring measures in individual cases.
- A pressure vessel must not be operated if it exhibits a defect that poses a danger to personnel or third parties.
- Check the pressure vessel for rust and damage each time before use. The compressor shall not be operated if the pressure vessel is damaged or rusty. If you discover damage, please contact the customer service workshop.

### Keep these safety instructions in a safe place.

#### Residual risks

Comply with the stipulated maintenance and safety instructions in the operating instructions.

Remain attentive at all times when working, and keep third parties at a safe distance from your work area.

Even when the device is being used properly, there will always be certain residual hazards that cannot be completely ruled out. The following potential hazards can arise due to the type and design of the device:

- Unintentional starting up of the product.
- Damage to hearing if the stipulated hearing protection is not worn.
- Dirt particles, dust etc. can get irritate the eyes or face despite wearing safety goggles.
- Inhaling swirled up particles.

#### Warning!

This power tool generates an electromagnetic field during operation. This field can impair active or passive medical implants under certain conditions. In order to prevent the risk of serious or deadly injuries, we recommend that persons with medical implants consult with their physician and the manufacturer of the medical implant prior to operating the power tool.

### 7. Technical data

Mains connection.....	230 V~ 50 Hz
Motor power .....	1800 W
Operating mode.....	S1
Compressor speed .....	2850 min <sup>-1</sup>
Pressure vessel capacity .....	approx. 24 l
Maximum operating pressure.....	approx. 10 bar
Theoretical intake capacity.....	approx. 260 l/min
Sound pressure level L <sub>PA</sub> .....	72.9 dB(A)
Sound power level L <sub>WA</sub> .....	92.9 dB(A)
Uncertainty K <sub>PA/WA</sub> .....	2.59 dB
Protection category .....	IP32
Device weight .....	approx. 26.8 kg
Oil (SAE 15W 40).....	approx. 0.25 l
Maximum altitude (above mean sea level) .....	1000 m

The noise emission values have been determined in accordance with EN ISO 3744:1995.

### **Wear hearing protection.**

Excessive noise can result in a loss of hearing.

## **8. Before commissioning**

- Open the packaging and carefully remove the device.
- Remove the packaging material, packaging and transport safety devices (if applicable).
- Check that the delivery is complete.
- Check the device and accessory parts for transport damage.
- If possible, keep the packaging until the expiry of the warranty period.

### **DANGER**

**The device and the packaging are not children's toys! Do not let children play with plastic bags, films or small parts! There is a danger of choking or suffocating!**

Before connecting the machine, make certain that the data on the type plate matches with the mains power data.

- Prior to initial commissioning, remove the transport lid (20a) and fill the compressor pump housing with oil as described in item 9.4.
- Check the device for transport damage. Report any damage immediately to the transport company which was used to deliver the compressor.
- Install the compressor near the point of consumption.
- Avoid long air lines and supply lines (extension cables).
- Make sure that the intake air is dry and free of dust.
- Do not install the compressor in a damp or wet room.
- The compressor may only be used in suitable rooms (with good ventilation and an ambient temperature from +5°C to 40°C). There must be no dust, acids, vapours, explosive gases or inflammable gases in the room.
- The compressor is designed to be used in dry rooms. It is prohibited to use the compressor in areas where work is conducted with sprayed water.
- The oil level in the compressor pump housing must be checked before using the machine.

## **9. Attachment and operation**

### **⚠ Attention!**

**Always make sure the device is fully assembled before commissioning!**

You require the following for assembly:

1x open-ended spanner 13 mm

1x Phillips screwdriver

(not included in the scope of delivery)

### **9.1 Fitting the wheels (fig. 4)**

- Fit the supplied wheels (11) as shown.

### **9.2 Fitting the supporting feet (fig. 5)**

- Fit the supplied supporting feet (9) as shown.

### **9.3 Fitting the air filter (fig. 6, 7)**

- Remove the transport lid (15a) and screw the air filter (15) to the equipment.

### **9.4 Filling the oil (fig. 8, 9)**

- Remove the transport lid (20a) of the oil filling opening (20).
- Fill the included compressor oil into the compressor pump housing and insert the supplied oil sealing plug (16) into the oil filling opening (20).

### **9.5 Mains connection**

- The compressor is equipped with a mains cable with protective contact plug. This can be connected to any 220 – 240 V~ 50 Hz protective contact socket, with fuse protection of at least 16 A.
- Before you use the machine, make sure that the mains voltage is the same as the operating voltage and the machine power on the rating plate.
- Long supply cables, extensions, cable reels, etc. cause a drop in voltage and can impede motor start-up.
- At low temperatures below +5°C, sluggishness may make starting difficult or impossible.

### **9.6 On/off switch (fig. 2)**

- Pull the on/off switch (17) upwards to switch on the compressor. To switch off the compressor, press the on/off switch (17) down.

### **9.7 Setting the pressure (fig. 1, 3)**

- Use the pressure regulator (5) to set the pressure on the pressure gauge (4).
- The pressure set can be drawn from the quick coupling (3).
- The vessel pressure can be read off at the pressure gauge (6).
- The vessel pressure is drawn from the quick coupling (7).

### **9.8 Setting the pressure switch (fig. 1)**

- The pressure switch (2) is set at the factory.  
Cut-in pressure approx. 8 bar  
Cut-out pressure approx. 10 bar

### **9.9 Fitting the compressed air hose (fig. 1, 3)**

- Connect the plug nipple (14a) of the compressed air hose (14) to one of the quick couplings (3, 7). Then attach the compressed air tool to the quick coupling (14b) of the compressed air hose (14).

### **9.10 Thermal protector**

The thermal protector is built into the device.

If the thermal protector has tripped, proceed as follows:

- Pull out the mains plug.
- Wait about two to three minutes.
- Plug the device in again.
- If the device does not start, repeat the process.
- If the device does not start again, switch the device off and on again using the on/off switch (17).
- If you have carried out all of the steps above and the device still does not work, contact our service team.

## 10. Electrical connection

**The electrical motor installed is connected and ready for operation. The connection complies with the applicable VDE and DIN provisions. The customer's mains connection as well as the extension cable used must also comply with these regulations.**

### 10.1 Important notes

In the event of overloading, the motor will switch itself off. After a cool-down period (time varies) the motor can be switched back on again.

### 10.2 Damaged electrical connection cable

The insulation on electrical connection cables is often damaged. This may have the following causes:

- Pressure points, where connection cables are passed through windows or doors.
- Kinks where the connection cable has been improperly fastened or routed.
- Places where the connection cables have been cut due to being driven over.
- Insulation damage due to being ripped out of the wall outlet.
- Cracks due to the insulation ageing.

Such damaged electrical connection cables must not be used and are life-threatening due to the insulation damage.

Check the electrical connection cables for damage regularly. Ensure that the connection cables are disconnected from electrical power when checking for damage.

Electrical connection cables must comply with the applicable VDE and DIN provisions. Only use connection cables of the same designation.

The printing of the type designation on the connection cable is mandatory.

### 10.3 AC motor

- The mains voltage must be 220 - 240 V~ 50 Hz.
- Extension cables up to 25 m long must have a cross-section of 1.5 square millimetres.

Connections and repair work on the electrical equipment may only be carried out by electricians.

Please provide the following information in the event of any enquiries:

- Type of current for the motor
- Data of machine type plate
- Data of motor type plate

## 11. Cleaning, maintenance and storage

### ⚠ Attention!

Pull out the mains plug before carrying out any cleaning and maintenance work! Risk of injury from electric shock!

### ⚠ Attention!

Wait until the equipment has cooled down completely! Danger of burning!

### ⚠ Attention!

Always depressurise the equipment before carrying out any cleaning and maintenance work! Danger of injury!

### 11.1 Cleaning

- Keep the device as free of dust and dirt as possible. Rub the device clean with a clean cloth or blow it off with compressed air at low pressure.
- We recommend that you clean the device directly after every use.
- Clean the device at regular intervals using a damp cloth and a little soft soap. Do not use aggressive cleaning agents or solvents; they could attack the plastic parts of the device. Make sure that no water can penetrate the device interior.
- The hose and injection tools must be disconnected from the compressor before cleaning. The compressor must not be cleaned with water, solvents or similar. gereinigt werden.

### 11.2 Maintaining the pressure vessel (fig. 1)

#### ⚠ Attention!

To ensure a long service life for the pressure vessel (8), drain off the condensate after each use by opening the drain screw (10). Release the vessel pressure first (see 11.8.1). Open the drain screw (10) by turning it counterclockwise (when looking at the screw from the bottom of the compressor) so that the condensate can be completely drained out of the pressure vessel (8).

Then close the drain screw (10) again (turn it clockwise). Check the pressure vessel (8) for rust and damage each time before use.

Do not use the compressor with a damaged or rusty pressure vessel (8). If you discover damage, please contact the customer service workshop.

### ⚠ Attention!

The condensate from the pressure vessel (8) will contain residual oil. Dispose of the condensate in an environmentally friendly manner at a suitable collection point.

### 11.3 Safety valve (fig. 3)

The safety valve (19) has been set for the highest permitted pressure of the pressure vessel (8). It is not permitted to adjust the safety valve (19) or remove the connection lock (19b) between the exhaust nut (19a) and its cap (19c). Actuate the safety valve (19) every 30 operating hours but at least three times a year to ensure that it works when required. Turn the perforated exhaust nut (19a) counterclockwise to open it and use your hands to pull the valve rod outwards over the perforated exhaust nut (19a) to open the outlet of the safety valve (19). Now, the valve audibly releases air. Then, tighten the exhaust nut (19a) clockwise again.

### 11.4 Checking the oil level at regular intervals (fig. 10)

Place the compressor on a level and straight surface.

The oil level must be between the MAX and MIN marks on the oil-level window (18).

Oil change: recommended oil: SAE 15W 40 or equivalent. The original oil filling must be changed after 100 operating hours; afterwards the oil must be drained and replaced with new oil after every 500 operating hours.

### 11.5 Changing the oil (fig. 1, 9, 10)

Switch the motor off and unplug the mains plug from the power outlet. Remove the oil sealing plug (16). After releasing any air pressure you can unscrew the oil drain screw (12) from the compressor pump (13).

To prevent the oil from running out in an uncontrolled manner, hold a small metal chute under the opening and collect the oil in a vessel. If the oil does not drain out completely, we recommend tilting the compressor slightly. When the oil has drained out, re-fit the oil drain screw (12).

### Dispose of the old oil at a drop-off point for old oil.

To fill in the correct quantity of oil, make sure that the compressor stands on an even surface. Fill new oil through the oil filling opening (20) until it comes up to the maximum level. This is marked with a red dot on the oil-level window (18) (fig. 10).

Do not exceed the maximum filling quantity. Overfilling the equipment may result in damage. Reinsert the oil sealing plug (16) into the oil filling opening (20).

### 11.6 Cleaning the air filter (fig. 3, 11, 12)

The air filter (15) prevents dust and dirt being sucked in. It is essential to clean this air filter (15) after at least every 300 hours in service. A blocked air filter significantly reduces the compressor power.

Remove the air filter (15) by opening the wing screw (15b). Then pull off the filter cover (15e). Now you can remove the filter element (15c) and the filter housing (15d). Carefully tap out the filter element (15c), the filter cover (15e) and the filter housing (15d). These components must then be blown out with compressed air (approx. 3 bar) and reassembled in reverse order.

### 11.7 Service information

With this product, it is necessary to note that the following parts are subject to natural or usage-related wear, or that the following parts are required as consumables.

Wearing parts\*: Air filter

\* may not be included in the scope of supply!

### 11.8 Storage

#### ⚠ Attention!

**Pull out the mains plug and ventilate the equipment and all connected pneumatic tools. Store the compressor in such a way that it cannot be used by unauthorised persons.**

#### ⚠ Attention!

**Store the compressor only in a dry location which is not accessible to unauthorised persons. Always store upright, never tilted! Oil may leak out!**

#### 11.8.1 Releasing excess pressure

Release the excess pressure by switching off the compressor and using the compressed air which is still left in the pressure vessel (8), e. g. with a compressed air tool running in idle mode or with a blow-out pistol.

## 12. Transport

Use the transport handle (1) to transport the device, and drive the compressor with it.

When lifting the compressor, note its weight (see Technical data).

Ensure that the load is well secured when transporting the compressor in a motor vehicle.

## 13. Disposal and recycling

The device is supplied in packaging to avoid transport damages. This packaging is raw material and can thus be used again or can be reintegrated into the raw material cycle.

The device and its accessories are made of different materials, such as metals and plastics. Take defective components to special waste disposal sites. Check with your specialist dealer or municipal administration!



**The packaging is wholly composed of environmentally-friendly materials that can be disposed of at a local recycling centre.**

**Contact your local refuse disposal authority for more details of how to dispose of your worn-out electrical devices.**

**Old devices must not be disposed of with household waste!**



This symbol indicates that this product must not be disposed of together with domestic waste in compliance with the Directive (2012/19/EU) pertaining to waste electrical and electronic equipment (WEEE). This product must be handed over at the intended collection point. This can be done, for example, by returning it when purchasing a similar product or delivering it to an authorised collection point for the recycling of old electrical and electronic devices. Improper handling of waste equipment may have negative consequences for the environment and human health due to potentially hazardous substances that are often contained in electrical and electronic equipment. By properly disposing of this product, you are also contributing to the effective use of natural resources. You can obtain information on collection points for waste equipment from your municipal administration, public waste disposal authority, an authorised body for the disposal of waste electrical and electronic equipment or your waste disposal company.

## 14. Troubleshooting

Fault	Possible cause	Remedy
The compressor does not start.	Mains voltage is not available.	Check the cable, mains plug, fuse and socket.
	Mains voltage is too low.	Make sure that the extension cable is not too long. Use an extension cable with large enough wires.
	Outside temperature is too low.	Never operate with an outside temperature of below +5 °C.
	Motor is overheated.	Allow the motor to cool down. If necessary, remedy the cause of the overheating.
The compressor starts but there is no pressure.	The safety valve (19) leaks.	Contact your local service centre. Only allow qualified personnel to carry out repairs.
	The seals are damaged.	Check the seals and have any damaged seals replaced by a service centre.
	The drain screw for condensate (10) leaks.	Tighten the screw by hand. Check the seal on the screw and replace if necessary.
The compressor starts, pressure is shown on the pressure gauge, but the tools do not start.	The hose connections have a leak.	Check the compressed air hose and tools and replace if necessary.
	A quick coupling has a leak.	Contact your local service centre. Only allow qualified personnel to carry out repairs.
	Insufficient pressure set on the pressure regulator (5).	Increase the set pressure with the pressure regulator.

## 15. Warranty certificate

### Dear Customer,

All of our products undergo strict quality checks to ensure that they reach you in perfect condition. In the unlikely event that your device develops a fault, please contact our service department at the address shown on this guarantee card. Of course, if you would prefer to call us then we are also happy to offer our assistance under the service number printed below. Please note the following terms under which guarantee claims can be made:

- These guarantee terms cover additional guarantee rights and do not affect your statutory warranty rights. We do not charge you for this guarantee.
- Our guarantee only covers problems caused by material or manufacturing defects, and it is restricted to the rectification of these defects or replacement of the device. Please note that our devices have not been designed for use in commercial, trade or industrial applications. Consequently, the guarantee is invalidated if the equipment is used in commercial, trade or industrial applications or for other equivalent activities. The following are also excluded from our guarantee: compensation for transport damage, damage caused by failure to comply with the installation/assembly instructions or damage caused by unprofessional installation, failure to comply with the operating instructions (e.g. connection to the wrong mains voltage or current type), misuse or inappropriate use (such as overloading of the device or use of non-approved tools or accessories), failure to comply with the maintenance and safety regulations, ingress of foreign bodies into the device (e.g. sand, stones or dust), effects of force or external influences (e.g. damage caused by the device being dropped) and normal wear resulting from proper operation of the device.

The guarantee is rendered null and void if any attempt is made to tamper with the device.

- The guarantee is valid for a period of 3 years starting from the purchase date of the device. Guarantee claims should be submitted before the end of the guarantee period within two weeks of the defect being noticed. No guarantee claims will be accepted after the end of the guarantee period. The original guarantee period remains applicable to the device even if repairs are carried out or parts are replaced. In such cases, the work performed or parts fitted will not result in an extension of the guarantee period, and no new guarantee will become active for the work performed or parts fitted. This also applies when an on-site service is used.
- In order to assert your guarantee claim, please contact the service partner shown below. If the complaint is within the guarantee period, we will provide you with a return slip, with which you can return your defective device free of charge to us. It would help us if you could describe the nature of the problem in as much detail as possible. If the defect is covered by our guarantee then your device will either be repaired immediately and returned to you, or we will send you a new device.

Of course, we are also happy offer a chargeable repair service for any defects which are not covered by the scope of this guarantee or for units which are no longer covered. To take advantage of this service, please send the device to our service address.

### Service-Hotline (GB):

+800 4003 4003  
(0,00 EUR/Min.)

### Service-Email (GB):

service.GB@schepach.com

### Service Address (GB):

Forest Park & Garden  
Coed Court, Taffsmead Road  
Treforest, Ind. Estate, Pontypridd CF375SW



At [www.lidl-service.com](http://www.lidl-service.com) you can download this and many more manuals, product videos plus installation software.

The QR code takes you directly to the Lidl service page ([www.lidl-service.com](http://www.lidl-service.com)) and you can open your operating manual by entering the article number (IAN) 360588\_2010.

1.	A készüléken található szimbólumok magyarázata .....	12
2.	Bevezetés .....	13
3.	A készülék leírása (1-12. ábra).....	13
4.	Szállított elemek .....	13
5.	Rendeltetésszerű használat .....	13
6.	Biztonsági utasítások.....	14
7.	Műszaki adatok .....	16
8.	Üzembe helyezés előtt.....	16
9.	Felépítés és kezelés.....	16
10.	Elektromos csatlakoztatás.....	17
11.	Tisztítás, karbantartás és tárolás .....	17
12.	Szállítás.....	18
13.	Ártalmatlanítás és újrahasznosítás.....	18
14.	Hibaelhárítás .....	19
15.	Jótállási tájékoztató.....	20
16.	Megfelelőségi nyilatkozat .....	63

## 1. A készüléken található szimbólumok magyarázata



(HU)

Üzembe helyezés előtt olvassa el és vegye figyelembe a kezelési útmutatót és a biztonsági utasításokat!



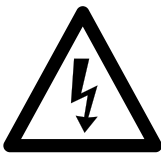
(HU)

Viseljen hallásvédőt. A zaj következtében hallásvesztésre kerülhet sor.



(HU)

Figyelmeztetés forró alkatrészekre! (A, 11. ábra)



(HU)

Figyelmeztetés elektromos feszültségre



(HU)

Figyelmeztetés! Az egység működése automatikus, és figyelmeztetés nélkül elindulhat.



(HU)

Figyelem! Az első üzembe helyezés előtt ellenőrizze az olajsintet, és cserélje ki az olaj záródugóját!



(HU)

Tartsa be a figyelmeztető és biztonsági utasításokat!



(HU)

Hangteljesítményszint értéke dB-ben



(HU)

A készüléket ne érje eső!



## 2. Bevezetés

### Gyártó:

scheppach  
Fabrikation von Holzbearbeitungsmaschinen GmbH  
Günzburger Straße 69  
D-89335 Ichenhausen

### Kedves Ügyfelünk!

Sok örömet és sikert kívánunk új készüléke használatához.

### Megjegyzés:

E gép gyártója a hatályos termékfelelősségi törvény szerint nem felelős a gépen esett vagy a gép által okozott károkért a következő esetekben:

- szakszerűtlen kezelés,
- A kezelési útmutató be nem tartása,
- harmadik fél által végzett illetéktelen javítás,
- nem eredeti pótalkatrészek beépítése és cseréje,
- nem rendeltetésszerű használat,
- A villamos berendezés működésképtelensége a villamos előírások és a VDE 0100, valamint a DIN 57113 / VDE 0113 előírásainak be nem tartása esetén.

### Vegye figyelembe a következőket:

A szerelés és üzembe helyezés előtt olvassa el a kezelési útmutató teljes szövegét.

Kezelési útmutatónkból megismerheti elektromos szerszámát, és elcsatolhatja a rendeltetésszerű használatához szükséges ismereteket.

A kezelési útmutató fontos információkat tartalmaz arról, hogyan dolgozhat az elektromos szerszámmal biztonságosan, szakszerűen és gazdaságosan, hogyan kerülheti el a veszélyeket, csökkentheti a javítási költségeket és az időkieséseket, és növelheti a gép megbízhatóságát és élettartamát.

A jelen kezelési útmutató biztonsági rendelkezésein túl feltétlenül tartsa be az országában az elektromos szerszám üzemeltetésével kapcsolatosan érvényes előírásokat is.

A szennyeződés és nedvesség ellen műanyag tokba csomagolt kezelési útmutatót az elektromos szerszám közelében tárolja. Munkába állás előtt minden kezelő olvassa el, és gondosan tartsa be előírásait. Az elektromos szerszámon csak olyan személyek dolgozhatnak, akiket betanítottak az elektromos szerszám használatára, és megismertettek az előforduló veszélyforrásokkal. Tartsa be a kezelők minimális életkorára vonatkozó rendelkezést.

A jelen kezelési útmutató biztonsági rendelkezésein és országában a készülék üzemeltetésére vonatkozó előírásokon túl feltétlenül tartsa be az azonos kialakítású gépek üzemeltetésére vonatkozó általánosan elismert műszaki szabályokat is.

Nem vállalunk felelősséget az olyan balesetekért vagy károkért, amelyek azért keletkeznek, mert nem vették figyelembe a jelen útmutatót és a biztonsági utasításokat.

## 3. A készülék leírása (1-12. ábra)

1. Szállítási fogantyú
2. Nyomáskapcsoló
3. Gyorscsatlakozó (szabályozott sűrített levegő)
4. Manométer (leolvasható a beállított nyomás)
5. Nyomásszabályozó
6. Manométer (leolvasható a kazán nyomása)
7. Gyorscsatlakozó (nem szabályozott sűrített levegő)
8. Nyomástartó edény
9. Állító láb
- 9a. Hézagoló alátét
- 9b. Csavar
10. Kondenzvíz leeresztő csavarja
11. Kerék
- 11a. Hézagoló alátét
- 11b. Lencsefejű csavar
12. Olajleeresztő csavar
13. Kompresszoros szivattyú
14. Sűrített levegő tömlője
- 14a. Dugaszcsomók
- 14b. Gyorscsatlakozó
15. Légszűrő
- 15a. Szállítási fedél
- 15b. Szárnyas csavar
- 15c. Szűrőbetét
- 15d. Szűrőház
- 15e. Szűrőfedél
16. Olajzáródugó
17. Be-/kikapcsoló
18. Olajszint-ellenőrző ablak
19. Biztonsági szelep
- 19a. Leeresztő anya
- 19b. Csatlakozás rögzítése
- 19c. A leeresztő anya sapkája
20. Olajbetöltő nyílás
- 20a. Szállítási fedél

## 4. Szállított elemek

- 1 db légszűrő
- 2 db állító láb
- 2 db kerék
- 1 db szerelőanyag
- 1 db olajzáródugó
- 1 db olajos flakon
- 1 db sűrített levegő-tömlő
- 1 x Kezelési útmutató

## 5. Rendeltetésszerű használat

A kompresszor sűrített levegő előállítására szolgál olyan sűrített levegős szerszámokhoz, amelyek maximum kb. 180 l/perc levegőmennyiséggel működtethetők (például abroncsöltő, kifúvópisztoly vagy festékpisztoly). A szállított levegő korlátozott mennyisége miatt nagyon nagy levegőfogyasztású szerszámok (pl. rezgőcsiszolók, rúdcsiszolók és ütőműves csavarbehajtók) üzemeltetése nem lehetséges.

A gépet csak rendeltetésszerűen szabad használni. Minden ettől eltérő használat nem rendeltetésszerűnek minősül. Az ebből fakadó minden kárért és sérülésért nem a gyártó, hanem a felhasználó/kezelő viseli a felelősséget.

Kérjük, vegye figyelembe, hogy készülékeinket rendeltetésük szerint nem kisipari, kéziipari vagy ipari használatra tervezték. A készülékre semmilyen garanciát nem vállalunk, ha kisipari, kéziipari vagy ipari, valamint ezekkel egyenértékű tevékenységekhez használja.

## 6. Biztonsági utasítások

### ⚠ Figyelem!

Elektromos szerszámok használatakor az elektromos áramütés, a sérülés- és tűzveszély ellen tartsa be a következő alapvető biztonsági intézkedéseket. Használat előtt olvassa el az elektromos szerszám összes útmutatóját és tartsa be a biztonsági utasításokat.

### Biztonságos munkavégzés

1. Tartsa rendben a munkaterületet
  - A munkaterületi rendtelenség balesetveszélyes.
2. Vegye figyelembe a környezeti hatásokat
  - Az elektromos szerszámot ne érje eső.
  - Az elektromos szerszámot ne használja nedves vagy vizes környezetben. Áramütés veszélye!
  - Gondoskodjon a jó megvilágításról a munkaterületen.
  - Ne használja olyan helyen az elektromos szerszámot, ahol tűz- vagy robbanásveszély áll fenn.
3. Védekezzen az áramütéssel szemben
  - Teste ne érintkezzen a földelt alkatrészekkel (például csövekkel, fűtőtestekkel, tűzhelyekkel, hűtőszekrényekkel).
4. Tartsa távol a gyermekeket!
  - Ne engedje, hogy mások megérintsék a szerszámot és kábelét, tartsa őket távol a munkaterülettől.
5. A nem használt villamos kézi szerszámokat biztonságosan kell tárolni
  - A használaton kívüli elektromos szerszámokat száraz, magasan fekvő vagy elzárt helyen kell tárolni, ahol nem férnek hozzá gyermekek.
6. Ne terhelje túl a villamos kézi szerszámot
  - A megadott teljesítménytartományban jobban és biztonságosabban dolgozhat.
7. Megfelelő ruházatot viseljen
  - Ne viseljen bő ruházatot vagy ékszert, mert azok beakadhatnak a mozgó alkatrészekbe.
  - Ha a szabadban dolgozik, akkor ajánlatos gumikesztyűt és csúszásmentes lábbelit viselni.
  - Ha hosszú a haja, viseljen hajhálót.
8. Ne használja a kábelt olyan célokra, amelyek nem minősülnek rendeltetésszerűnek
  - Ne a kábelnél fogva húzza ki a csatlakozódugót az aljzatból. Óvja a kábelt a hőtől, olajtól és éles peremektől.
9. Gondosan ápolja a szerszámot
  - A megfelelő és biztonságos munkavégzés érdekében tartsa tisztán a kompresszort.
  - Tartsa be a karbantartásra vonatkozó előírásokat.

- Rendszeresen ellenőrizze az elektromos szerszám csatlakozókábelét, és sérülés esetén elismert szakemberrel cseréltesse ki.
  - Rendszeresen ellenőrizze a hosszabbító kábeleket, és cserélje ki azokat, ha megsérülnek.
10. A hálózati dugót húzza ki a dugaszoló aljzatból
    - Ha nem használja az elektromos szerszámot, karbantartás előtt, valamint a szerszámok, pl. fűrészlap, fűrő, marófej cseréjekor.
  11. Kerülje a véletlen bekapcsolást
    - Győződjön meg arról, hogy a csatlakozódugó aljzatba történő bedugásakor ki van kapcsolva a kapcsoló.
  12. Kültéren használjon hosszabbítót
    - A szabadban csak engedélyezett és megfelelő jelöléssel ellátott hosszabbítókábel használjon.
    - Kábeldob használata esetén mindig tekerje le teljesen a kábelt.
  13. Legyen mindig óvatos
    - Figyeljen arra, amit csinál. Dolgozzon ésszel. Ne használja a villamos kézi szerszámot, ha nem koncentrálna.
  14. Ellenőrizze az elektromos szerszámot, hogy nem sérült-e
    - Az elektromos szerszám további használata előtt gondosan ellenőrizze a védőberendezések vagy a könnyebben sérült részek kifogástalan és rendeltetésszerű működését.
    - Ellenőrizze, hogy a mozgó részek kifogástalanul működnek, nem szorulnak és nem sérültek-e. Az elektromos szerszám kifogástalan üzemeltetéséhez minden alkatrészt helyesen kell felszerelni és minden feltételt be kell tartani.
    - A sérült védőberendezéseket és alkatrészeket rendeltetésszerűen, márkaszervizzel javíttassa meg vagy cseréltesse ki, amennyiben a kezelési utasítás nem rendelkezik másként.
    - A sérült kapcsolókat vevőszolgálati szervizünkkel cseréltesse ki.
    - Ne használjon hibás vagy sérült csatlakozóvezetékét.
    - Ne használjon olyan elektromos szerszámot, amelynek a kapcsolója nem működik.
  15. Az elektromos szerszámot villamossági szakemberrel javíttassa meg
    - Ez az elektromos szerszám megfelel a vonatkozó biztonsági előírásoknak. Javításokat csak villamossági szakember végezhet, eredeti pótalkatrészekkel; ellenkező esetben a gép használója balesetet szenvedhet.
  16. Figyelem!
    - A saját biztonsága érdekében csak a használati útmutatóban megadott vagy a gyártó által ajánlott vagy megadott tartozékokat és kiegészítő készülékeket használja. A kezelési utasításban vagy a katalógusban javasoltaktól eltérő betétek vagy tartozékok használata személyi sérülések veszélyével fenyegethet.
  17. Zaj
    - A kompresszor használatakor hallásvédő viselendő.
  18. A csatlakozóvezeték cseréje
    - Ha megsérül a csatlakozóvezeték, akkor a veszélyek elkerüléséhez a gyártó vagy villanszerelő cserélje ki azt. Áramütés veszélye.

19. Abroncs felfújása
  - Felfújás után azonnal ellenőrizze az abroncsnyomást egy megfelelő mérőkészülékkel, például egy benzinkúton.
20. Közúti közlekedésre alkalmas kompresszorok építkezésen
  - Ügyeljen rá, hogy minden tömlő és szerelvény megfeleljen a kompresszor megengedett legnagyobb üzemi nyomásának.
21. Felállítás helye
  - Állítsa a kompresszort vízszintes felületre.
22. 7 bar feletti nyomás esetén a bevezetőtömlőket érdemes biztonsági kábellel, pl. egy drótkötéllel felszerelni.
23. Úgy kerülje el a vezetérendszer nagy terheléseit, hogy rugalmas tömlőcsatlakozókat használ, és kerüli a törési helyeket.
24. Győződjön meg arról, hogy az olajhűtő berendezések tisztán vannak tartva, és a védőberendezések üzemképes állapotban maradnak.
25. Égési sérülések veszélye a forró olaj miatt
  - Viseljen megfelelő védőkesztyűt.
  - A kompresszoron soha ne dolgozzon nyílt láng közelében.
  - Ügyeljen rá, hogy ne folyjon ki az olaj.
26. 0 °C alatti alacsony hőmérsékletek esetén tilos elindítani a motort.

### További biztonsági utasítások

#### A sűrített levegővel és a kifúvópisztollyal való munkavégzésre vonatkozó biztonsági utasítások

- A kompresszorszivattyú és a vezetékek üzem közben erősen felmelegsznek. Megérintésük égési sérülést okoz.
- A kompresszor által beszívott levegőbe nem kerülhet semmilyen adalékanyag, mert ez a kompresszorszivattyúnál tüzet vagy robbanást okozhat.
- A tömlőcsatlakozó meglazításakor tartsa kézzel szorosan a tömlő csatlakozódarabját. Így elkerülheti a visszacsapódó tömlő miatti sérüléseket.
- A kifúvópisztollyal való munkavégzéskor viseljen védőszemüveget. Az idegen testek és kifúvott tárgyak könnyebb sérüléseket okozhatnak.
- A kifúvópisztollyal ne fújjon le személyeket, és ne használja a ruházat a testen való megtisztítására. Sérülésveszély!

#### A festékszórásra vonatkozó biztonsági utasítások

- Ne használjon 55 °C alatti lobbaspontú lakkot vagy oldószert. Robbanásveszély!
- Ne melegítse fel a lakkot vagy az oldószert. Robbanásveszély!
- Egészségkárosító folyadékokkal való munkavégzéskor védelem céljából szűrő felszerelés (arcmaszk) használata szükséges. Vegye figyelembe az ilyen anyagok gyártói által megadott, védelmi intézkedésekre vonatkozó információkat is.
- A felhasználandó anyagok külső csomagolásain elhelyezett, veszélyes anyagokra vonatkozó rendelet szerinti adatokat és jelöléseket figyelembe kell venni. Szükség esetén kiegészítő óvintézkedéseket kell fogantatni, így elsősorban megfelelő ruházatot és maszkot kell viselni.

- A szórási folyamat közben, és a munkaterületen általánosságban tilos a dohányzás. Robbanásveszély! A festékgőz is könnyen éghető.
- Kerülni kell a tűzfészeket, nyílt láng és szikraképződéssel járó gépek használatát, és ezek közelségét.
- Tilos a munkatérben ételt vagy italt tárolni vagy fogyasztani. A festékgőz károsítja az egészséget.
- A munkatér legyen nagyobb, mint 30 m<sup>3</sup>, továbbá szórásakor, valamint száradáskor biztosítani kell a megfelelő levegőcserét.
- Soha ne végezzen szórást széllel szemben. Éghető, ill. veszélyes szóróanyagok szórásakor alapvetően be kell tartani a helyi rendőrhatalóság rendelkezéseit.
- PVC nyomótömlő esetén nem szabad olyan anyagokkal dolgozni, mint például lakkbenzin, butil-alkohol vagy metilén-klorid. Ezek az anyagok károsítják a nyomótömlőt.
- Szóró tartozékokkal (pl. festékszóró pisztollyal) való használat esetén: A szóró készüléket feltöltés közben tartsa azt távol a kompresszortól, és ne permetezzen a kompresszor irányába.

#### Nyomástartály működtetése

- Nyomástartály működtetése esetén a tartályt megfelelő állapotban kell tartani, előírás szerint kell üzemeltetni és felügyelni, a karbantartási és javítási munkákat haladéktalanul el kell végezni, és a körülményektől függő szükséges biztonsági intézkedéseket meg kell hozni.
- A felügyeleti szerv rendkívüli esetben szükséges felügyeleti intézkedéseket is megkövetelhet.
- Nem szabad nyomástartályt üzemeltetni, ha olyan hiányosság mutatkozik, amely az alkalmazottakat vagy más személyeket veszélyeztet.
- Minden egyes üzemeltetés előtt ellenőrizze, hogy nem rozsdás vagy sérült-e a nyomástartály. A kompresszort nem szabad sérült vagy rozsdás nyomástartállyal üzemeltetni. Ha sérüléseket észlelt, forduljon vevőszolgálati szervizünkhöz.

#### A biztonsági utasításokat tárolja megfelelően.

#### Maradék kockázat

Tartsa be a kezelési útmutató előírt karbantartási és biztonsági utasításait.

Munka közben mindig legyen figyelmes, és külső személyeket tartson biztonságos távolságra a munkavégzési helytől.

A készülék szakszerű használata esetén is mindig marad egy bizonyos maradék kockázat, ami nem zárható ki. A készülék típusából és szerkezetéből adódóan az alábbi lehetséges veszélyek származhatnak:

- A termék akaratlan üzembe helyezése.
- Halláskárosodás, ha nem viseli az előírt hallásvédőt.
- Szennyeződés részecskék, por stb. kerülhet a szemébe vagy az arcára a védőszemüveg viselése esetén is.
- Felkavart részecskék belégzése.

## Figyelmeztetés!

Ez az elektromos szerszám üzem közben elektromágneses mezőt hoz létre. Ez a mező bizonyos körülmények között negatív hatással lehet az aktív vagy passzív orvosi implantátumokra. A komoly és súlyos sérülések kockázatának elkerülése érdekében javasoljuk, hogy az orvosi implantátummal rendelkező személyek az elektromos szerszám használata előtt keressék fel orvosukat és implantátumuk gyártóját.

## 7. Műszaki adatok

Hálózati csatlakozás.....	230 V~ 50 Hz
Motorteljesítmény.....	1800 W
Üzem mód.....	S1
Kompresszor-fordulatszám.....	2850 min <sup>-1</sup>
Nyomótartály-térfogat.....	kb. 24 l
Maximális üzemi nyomás.....	kb. 10 bar
Elméleti szívóteljesítmény.....	kb. 260 l/perc
L <sub>PA</sub> hangnyomásszint.....	72,9 dB(A)
L <sub>WA</sub> hangteljesítményszint.....	92,9 dB(A)
Bizonytalanság, K <sub>PA/WA</sub> .....	2,59 dB
Védelmi fokozat.....	IP32
A berendezés súlya.....	kb. 26,8 kg
olaj (SAE 15W 40).....	kb. 0,25 l
Maximális felállítási magasság (tengerszint felett).....	1000 m

A zajkibocsátási értékek megállapítása az EN ISO 3744:1995 szabvány alapján történt.

## Viseljen hallásvédőt.

A zaj következtében hallásvesztésre kerülhet sor.

## 8. Üzembe helyezés előtt

- Nyissa ki a csomagolást, és óvatosan vegye ki a készüléket.
- Távolítsa el a csomagolóanyagot, valamint a csomagolási és szállítási biztosítékokat (ha vannak).
- Ellenőrizze, hogy hiánytalan-e a szállítmány.
- Ellenőrizze a készülék és a tartozékok szállításból eredő sérüléseit.
- Lehetőség szerint a jótállási idő leteltéig őrizze meg a csomagolást.

## VESZÉLY

**A készülék és a csomagolóanyag nem játékszer!  
Ne engedje, hogy a gyermekek a műanyag zacskókkal, fóliákkal és apró részekkel játszanak!  
Lenyelés és fulladás veszélye áll fenn!**

A csatlakoztatás előtt győződjön meg arról, hogy a típus táblán szereplő adatok egyeznek a hálózati adatokkal.

- Az első üzembe helyezés előtt távolítsa el a szállítási fedelet (20a), és a 9.4 pontban leírtak szerint töltsen fel olajjal a kompresszor szivattyúházát.
- Ellenőrizze, hogy nincsenek-e szállítási sérülések a készüléken. Az esetleges sérüléseket azonnal jelentse a kompresszort kiszállító szállítványozónak.
- A kompresszor telepítése a fogyasztó közelében történjen.
- Kerülje a hosszú légvezetékek és hosszú tápvezetékek (hosszabbító kábel) használatát.

- Ügyeljen arra, hogy a beszívott levegő száraz és pormentes legyen.
- Ne helyezze el nyirkos vagy nedves helyiségben a kompresszort.
- A kompresszort csak megfelelő helyiségben (jól szellőző, +5°C és 40°C közötti környezeti hőmérséklet) szabad működtetni. A helyiségnek portól, savaktól, gőzektől, robbanásveszélyes és gyúlékony gázoktól mentesnek kell lennie.
- A kompresszort száraz helyiségben történő használatra tervezték. Olyan területeken, ahol a munkavégzés porlasztott vízzel történik, használata nem megengedett.
- Üzembe helyezés előtt ellenőrizze az olajszintet a kompresszor szivattyú házában.

## 9. Felépítés és kezelés

### ▲ Figyelem!

**Az üzembe helyezés előtt feltétlenül szerelje össze teljesen a készüléket!**

A szereléshez a következőkre van szükség:

1 db villáskulcs, 13 mm

1 db csillagcsavarhúzó

(nem szerepel a szállított elemek között)

### 9.1 A kerekek felszerelése (4. ábra)

- Szerelje fel a mellékelt kerekeket (11) az ábrán látható módon.

### 9.2 Az állító lábak felszerelése (5. ábra)

- Szerelje fel a mellékelt állító lábakat (9) az ábrán látható módon.

### 9.3 A légszűrő felszerelése (6., 7. ábra)

- Távolítsa el a szállítási fedelet (15a), és csavarozza fel erősen a készülékre a légszűrőt (15).

### 9.4 Olaj betöltése (8., 9. ábra)

- Távolítsa el az olajbetöltő nyílás (20a) szállítási fedelét (20).
- Töltsen be a szállítmány részét képező kompresszorolajat a kompresszor szivattyúházába, és helyezze be a mellékelt olajzáró dugót (16) az olajbetöltő nyílásba (20).

### 9.5 Hálózati csatlakozás

- A kompresszor védőérintkezős csatlakozós hálózati kábellel rendelkezik. Ez minden 220–240 V~ 50 Hz, 16 A biztosítékkal és védőföldeléssel ellátott aljzathoz csatlakoztatható.
- Az üzembe helyezés előtt ügyeljen arra, hogy a hálózati feszültség egyezzen a típus táblán szereplő üzemi feszültség-gel és gépteljesítménnyel.
- A hosszú tápvezetékek, hosszabbítók, kábeldobok stb. feszültségesést okoznak, és megakadályozhatják a motor indítását.
- +5°C alatti alacsony hőmérsékletek esetén szintén számolni kell a motor nehézkes indításával.

### 9.6 Be-/kikapcsoló (2. ábra)

- A kompresszor bekapcsolásához húzza felfelé a be-/kikapcsolót (17). Kikapcsoláshoz nyomja lefelé a be-/kikapcsolót (17).

### 9.7 A nyomás beállítása (1., 3. ábra)

- A nyomásszabályozóval (5) beállíthatja a nyomást a manométeren (4).
- A beállított nyomás a gyorscsatlakozónál (3) vételezhető.
- A manométeren (6) leolvasható a tartálynyomás.
- A tartálynyomás a gyorscsatlakozónál (7) vételezhető.

### 9.8 A nyomáskapcsoló beállítása (1. ábra)

- A nyomáskapcsoló (2) gyárilag beállított.  
Bekapcsolási nyomás kb. 8 bar  
Kikapcsolási nyomás kb. 10 bar

### 9.9 A sűrítettlevegő-tömlő felszerelése (1., 3. ábra)

- Csatlakoztassa a sűrítettlevegő-tömlő (14) dugaszcsönkját (14a) az egyik gyorscsatlakozóra (3, 7).
- Ezután csatlakoztassa a sűrítettlevegő-tömlő (14) gyorscsatlakozójára (14b) a sűrített levegős szerszámot.

### 9.10 Termikus védőkapcsoló

A termikus védőkapcsoló be van szerelve a készülékbe.

Ha kioldott a termikus védőkapcsoló, akkor az alábbiak szerint járjon el:

- Húzza ki a hálózati dugót.
- Várjon kb. 2 vagy három percet.
- Dugja be újra a készüléket.
- Ha a készülék nem indul el, ismétlje meg a folyamatot.
- Ha a készülék ismételtelen nem indul el, kapcsolja ki a készüléket a be-/kikapcsolóval (17).
- Ha elvégezte az összes fent megadott lépést, és a készülék továbbra sem működik, vegye fel a kapcsolatot Szerviz részlegünkkel!

## 10. Elektromos csatlakoztatás

**A telepített villanymotor üzemkész állapotban van csatlakoztatva. A csatlakoztatás megfelel a vonatkozó VDE és DIN előírásoknak. Az ügyfél által biztosított hálózati csatlakozásnak, valamint az alkalmazott hosszabbító vezetéknek meg kell felelnie ezen előírásoknak.**

### 10.1 Fontos utasítások

A motor túlterhelés esetén magától lekapcsol. A (változó időtartamú) lehülés után a motor ismét bekapcsolható.

### 10.2 Sérült elektromos csatlakozóvezeték

Az elektromos csatlakozóvezetéseken gyakran sérült a szigetelés.

Ennek okai a következők:

- Megnyomódások, ha a csatlakozóvezetéseket ablak- vagy ajtónyílásokon vezet át.
- Megtörések, amikor szakszerűtlenül vezetik vagy rögzítik a csatlakozóvezetéseket.
- Elnyíródások, amikor áthajtanak a csatlakozóvezetéseken.
- A szigetelés sérülései, amikor a vezetékét kirántják a konnektorból.
- Repedések a szigetelés elöregedése miatt.

Az ilyen sérült elektromos csatlakozóvezetékek nem használhatók, és a szigetelés sérülései miatt életveszélyesek.

Rendszeresen ellenőrizze az elektromos csatlakozóvezetékek sérüléseit. Ügyeljen arra, hogy a csatlakozóvezeték az ellenőrzéskor ne legyen az áramhálózatra csatlakoztatva.

Az elektromos csatlakozóvezetékeknek meg kell felelniük a vonatkozó VDE- és DIN-előírásoknak. Csak azonos jelölésű csatlakozó vezetéseket használjon.

A csatlakozókábelen kötelező a nyomtatott típusmegnevezés megléte.

### 10.3 Váltóáramú motor

- A hálózati feszültség értéke 220–240 V~ 50 Hz legyen.
- A legfeljebb 25 m hosszú hosszabbító vezeték legalább 1,5 négyzetmilliméter keresztmetszettel kell rendelkezzenek.

A csatlakoztatásokat és az elektromos szerelvényen végzett javításokat csak villanszerelő hajthatja végre.

Információ kérése esetén a következő adatokat adja meg:

- A motor áramneme
- A gép típusablájának adatai
- A motor típusablájának adatai

## 11. Tisztítás, karbantartás és tárolás

### ⚠ Figyelem!

Minden tisztítási és karbantartási munkát előtt húzza ki a hálózati csatlakozódugót! Áramlökések miatti sérülésveszély!

### ⚠ Figyelem!

Várja meg, amíg a készülék teljesen lehűl! Égési sérülések veszélye!

### ⚠ Figyelem!

Minden tisztítási és karbantartási munka előtt nyomásmentesíteni kell a készüléket! Sérülésveszély!

### 11.1 Tisztítás

- Tartsa a lehető legnagyobb mértékben por- és szennyeződésmentesen a készüléket. A készüléket törölje le tiszta ronggyal, vagy fúvassa ki alacsony nyomású sűrített levegővel.
- Azt javasoljuk, hogy a készüléket minden használat után tisztítsa meg.
- Rendszeresen tisztítsa meg a készüléket egy nedves ruhával és egy kis kenőszappannal. Ne használjon agresszív tisztító- vagy oldószereket, mivel ezek kikezdehetik a készülék műanyag alkatrészeit. Ügyeljen arra, hogy ne juthasson víz a készülék belsejébe.
- A tömlőt és a szórószerszámokat a tisztítás előtt távolítsa el a kompresszorról. A kompresszort nem szabad vízzel, oldószerekkel és hasonlókkal tisztítani.

### 11.2 A nyomástartó edény karbantartása (1. ábra) Figyelem!

A nyomástartó edény (8) hosszú eltarthatósága érdekében minden egyes üzemeltetés után eresse le a kondenzvizet a leeresztő csavar (10) kioldásával.

Először eresse le a tartálynyomást (lásd 11.8.1). A leeresztő csavar (10) az óramutató járásával ellentétes irányba forgatva (a csavart a kompresszor aljától nézve) oldható ki, hogy a kondenzvíz teljesen kifolyhasson a nyomástartó edényből (8).

Ezután zárja vissza a leeresztő csavart (10) (az óramutató járásának irányába forgatva). Minden egyes üzemeltetés előtt ellenőrizze, hogy nem rozsdás vagy sérült-e a nyomástartó edény (8).

A kompresszort nem szabad sérült vagy rozsdás nyomástartó edénnyel (8) üzemeltetni. Ha sérüléseket észlelt, forduljon vévőszolgálati szervizünkhöz.

### ⚠ **Figyelem!**

A nyomástartó edényből (8) származó kondenzvíz olajmaradványokat tartalmaz. Környezetbarát módon, egy megfelelő hulladékgyűjtő helyen ártalmatlanítsa a kondenzvizet.

### **11.3 Biztonsági szelep (3. ábra)**

A biztonsági szelep (19) a nyomástartó edény (8) legnagyobb megengedett nyomására van beállítva. A biztonsági szelep (19) átállítása, vagy a leeresztő anya (19a) és a sapkája (19c) közötti csatlakozás rögzítésének (19b) eltávolítása nem engedélyezett. 30 üzemóránként, alkalmanként legalább 3-szor működtesse a biztonsági szelepet (19), hogy szükség esetén megfelelően működjön. Kioldáshoz forgassa az óramutató járásával ellentétes irányba a perforált leeresztő anyát (19a), majd a perforált leeresztő anyán (19a) keresztül, kézzel húzza kifelé a szelepszárat, hogy ezzel kinyissa a biztonsági szelep (19) kimenetét. A szelep ekkor hallhatóan kiengedi a levegőt. Ezután az óramutató járásának irányába forgatva húzza meg újra a leeresztő anyát (19a).

### **11.4 Rendszeresen ellenőrizze az olajsínt (10. ábra)**

Állítsa a kompresszort sík, egyenes felületre.

Az olajsíntnek az olajsínt-ellenőrző ablak (18) MAX és MIN jelzései közé kell esnie.

Olajcsere: Ajánlott olaj: SAE 15W 40 vagy azzal egyenértékű. Az első feltöltést 100 üzemóra elteltével le kell cserélni; ezt követően 500 üzemóránként le kell engedni az olajat, és újat kell betölteni.

### **11.5 Olajcsere (1., 9., 10. ábra)**

Kapcsolja le a motort, és húzza ki a hálózati csatlakozódugót az aljzatból. Távolítsa el az olajzáródugót (16). Miután az esetlegesen rendelkezésre álló levegőnyomást leeresztette, kicsavarozhatja az olajzáródugót (12) a kompresszoros szivattyún (13).

Hogy az olaj ne folyjon ki ellenőrizetlenül, helyezzen alá egy kisméretű bádgedényt, és fogja fel az olajat egy tartályban. Ha az olaj nem folyik ki teljesen, javasoljuk, hogy egy kicsit döntse meg a kompresszort. Ha az olaj kifutott, helyezze be újra az olajleeresztő csavart (12).

### **A fáradt olajat adja le ártalmatlanításra a megfelelő fáradt olaj átvevőhelyen!**

A megfelelő olajmennyiség betöltéséhez ügyeljen rá, hogy a kompresszor sík felületen álljon. Töltsön be új olajat az olajbetöltő nyílásba (20), míg az olajsínt el nem éri a maximális töltési mennyiséget. Ezt piros pont jelöli az olajsínt-ellenőrző ablakon (18) (10. ábra).

Ne lépje túl a feltöltési mennyiséget. A túltöltés az eszköz megromlását eredményezheti. Helyezze vissza az olajzáródugót (16) az olajbetöltő nyílásra (20).

### **11.6 A légszűrő tisztítása (3., 11., 12. ábra)**

A légszűrő (15) megakadályozza a por és szennyeződés beszívását. A légszűrőt (15) legalább 300 üzemóránként meg kell tisztítani. Az eltömődött légszűrő jelentősen rontja a kompresszor teljesítményét.

A szárnyas csavar (15b) kioldásával vegye ki a légszűrőt (15). Húzza le a szűrőfedelelet (15e). Most ki tudja venni a szűrőbetétet (15c) és a szűrőházat (15d). Óvatosan ütögesse ki a szűrőbetétet (15c), a szűrőfedelelet (15e) és a szűrőházat (15d). Ezeket az alkatrészeket ezután sűrített levegővel (kb. 3 bar) fújja ki, és fordított sorrendben szerelje vissza őket.

### **11.7 Szervizinformációk**

Vegye figyelembe, hogy ennél a terméknél a következő alkatrészek használati vagy természetes kopásnak kitett elemek, illetve a következő alkatrészekre használati anyagokként van szükség.

Kopásnak kitett alkatrészek\*: Légszűrő

\* nem szerepel kötelezően a szállított elemek között!

### **11.8 Tárolás**

#### ⚠ **Figyelem!**

**Húzza ki a hálózati csatlakozót, légtelenítse a készüléket és az összes csatlakoztatott sűrített levegős szerszámot. Úgy helyezze el a kompresszort, hogy illetéktelen személyek ne tudják üzembe helyezni.**

#### ⚠ **Figyelem!**

**A kompresszort kizárólag száraz és jogosulatlan személyek számára nem hozzáférhető környezetben tárolja. Ne elbillentett helyzetben, hanem állva tárolja! Az olaj kifuthat!**

#### **11.8.1 A túlnyomás leeresztése**

A túlnyomás leengedéséhez kapcsolja ki a kompresszort, és használja fel a nyomástartó edényben (8) még meglévő sűrített levegőt például egy sűrített levegős szerszám üresen járatásával vagy kifúvópisztoly működtetésével.

## **12. Szállítás**

A gép szállításához a szállítási fogantyút (1) használja, és ezzel mozgassa a kompresszort.

A kompresszor felemelésekor ügyeljen annak súlyára (lásd a Műszaki adatokat).

A kompresszor gépjárművel végzett szállításánál gondoskodjon a rakomány megfelelő biztosításáról.

## **13. Ártalmatlanítás és újrahasznosítás**

A készülék olyan csomagolásban található, amely megakadályozza a szállítás közbeni sérüléseket. Ez a csomagolás nyersanyag, így újra felhasználható vagy a nyersanyag-körforgásba visszaforgatható.

A készülék és annak tartozékai különböző anyagokból állnak, pl. fémből és műanyagokból. A hibás alkotóelemeket juttassa el az újrahasznosító helyekre. Érdeklődjön a szakkereskedésben vagy a helyi önkormányzatnál!



**A csomagolás környezetbarát anyagokból készült, amelyeket a helyi szelektív hulladékgyűjtő pontokon ártalmatlaníthat.**

**Az elhasználódott készülék ártalmatlanítási lehetőségeiről a helyi önkormányzatnál tájékozódhat.**

#### **Ne dobja a használt berendezéseket a háztartási hulladékba!**



Ez a szimbólum arra hívja fel a figyelmet, hogy a terméket az elektromos és elektronikus berendezések hulladékairól szóló irányelv (2012/19/EU) és a nemzeti törvények értelmében nem szabad a háztartási hulladékba dobni. Ezt a terméket egy erre alkalmas gyűjtőhelyen kell leadni. Ez történhet például egy hasonló termék vásárlásakor történő leadással vagy egy elektromos és elektronikus berendezések hulladékait újrahasznosító hivatalos gyűjtőhelyen történő leadással. A használt berendezések szakszerűtlen kezelése a használt elektromos és elektronikai berendezésekben gyakran megtalálható potenciálisan veszélyes anyagok miatt negatív hatással lehet a környezetre és az emberek egészségére. Ezen termék szakszerű ártalmatlanításával ráadásul a természeti erőforrások hatékony használatához is hozzájárul. A használt berendezések gyűjtőhelyeivel kapcsolatban a városvezetésnél, a helyi közterület-fenntartónál, az elektromos és elektronikus berendezések hivatalos gyűjtőhelyén vagy a hulladékszállító vállalatnál érdeklődhet.

## **14. Hibaelhárítás**

<b>Üzemzavar</b>	<b>Lehetséges ok</b>	<b>Megoldás</b>
Nem jár a kompresszor.	Nem áll rendelkezésre hálózati feszültség.	Ellenőrizze a kábelt, hálózati csatlakozót, biztosítékot és csatlakozóaljzatot.
	Túl alacsony a hálózati feszültség.	Kerülje a túl hosszú hosszabbító kábelek használatát. Megfelelő huzalkeresztmetszetű hosszabbító kábelt használjon.
	Túl alacsony a külső hőmérséklet.	Ne használja a készüléket +5 °C külső hőmérséklet alatt.
	A motor túlmelegedett.	Hagyja lehűlni a motort, adott esetben szüntesse meg a túlmelegedés okát.
A kompresszor jár, de nincs nyomás.	Tömítetlen a (19) biztonsági szelep.	Lépjen kapcsolatba a helyi szerviz központtal. A javításokat kizárólag képzett szakemberrel végeztesse el.
	A tömítések tönkrementek.	Ellenőrizze a tömítéseket, a tönkrement tömítéseket cseréltesse ki szakműhellyel.
	A kondenzvíz (10) leeresztő csavarja tömítetlen.	Húzza meg kézzel a csavart. Ellenőrizze a csavar tömítését, szükség esetén cserélje ki.
A kompresszor jár, a manométer nyomást jelez, de a szerszámok nem működnek.	A tömlőcsatlakozások tömítetlenek.	Ellenőrizze, és szükség esetén cserélje ki a sűrített levegős tömlőt és a szerszámokat.
	A gyorscsatlakozó tömítetlen.	Lépjen kapcsolatba a helyi szerviz központtal. A javításokat kizárólag képzett szakemberrel végeztesse el.
	Túl alacsony nyomás van beállítva a nyomásszabályozón (5).	Állítson be magasabb értéket a nyomásszabályozón.

A termék megnevezése: Kompresszor	Gyártási szám: 360588_2010
A termék típusa: PKO24B2	
A gyártó cégneve, címe, e-mail címe: <b>scheppach</b> <b>Fabrikation von Holzbearbeitungsmaschinen GmbH</b> <b>Günzburger Straße 69</b> <b>DE-89335 Ichenhausen</b>  <b>E-mail cím: (HU):</b> service.HU@scheppach.com	Szerviz neve, címe, telefonszáma: <b>ATISGEP Kft</b> <b>Szentesi út 100</b> <b>HU - 5903 Orosháza</b>  <b>Szerviz forródrót:</b> +800 4003 4003 (0,00 Ft./perc)
Az importáló/ forgalmazó neve és címe: Lidl Magyarország Kereskedelmi Bt., H-1037 Budapest, Rádl árok 6.	

- A jótállási idő a Magyarország területén, Lidl Magyarország Kereskedelmi Bt. üzletében történt vásárlás napjától számított 1 év, amely jogvesztő. A jótállási idő a fogyasztó részére történő átadással, vagy ha az üzembe helyezést a forgalmazó, vagy annak megbízottja végzi, az üzembe helyezés napjával kezdődik.
- A jótállási igény a jótállási jeggyel és/vagy a vásárlást igazoló blokkal érvényesíthető. A jótállási jegy szabálytalan kiállítása, vagy átadásának elmaradása nem érinti a jótállási kötelezettség-vállalás érvényességét. Kérjük, hogy a vásárlás tényének és időpontjának bizonyítására őrizze meg a pénztári fizetésnél kapott jótállási jegyet és a vásárlást igazoló blokkot.
- A vásárlástól számított három munkanapon belül érvényesített csereigény esetén a forgalmazó köteles a terméket kicserélni, feltéve ha a hiba a rendeltetészerű használatot akadályozza. A jótállási jogokat a termék tulajdonosaként a fogyasztó érvényesítheti az áruházakban, valamint a jótállási tájékoztatóban feltüntetett szervizekben. (A magyar Polgári Törvénykönyv alapján fogyasztónak minősül a szakmája, önálló foglalkozása vagy üzleti tevékenysége körén kívül eljáró természetes személy.)  
A jótállás ideje alatt a fogyasztó hibás teljesítés esetén kérheti a termék kijavítását, kicserélését, vagy ha a termék nem javítható vagy cserélhető, vagy az a forgalmazónak aránytalan többletköltséggel járna, illetve a fogyasztó kijavításhoz, kicseréléshez fűződő érdeke alapos ok miatt megszűnt, árleszállítást kérhet, vagy elállhat a szerződéstől és visszakérheti a vételárat. A kijavítás során a termékbe csak új alkatrész kerülhet beépítésre.
- A fogyasztó a hiba felfedezése után a lehető legrövidebb időn belül köteles a hibát bejelenteni és a terméket a jótállási jogok érvényesítése céljából átadni. A hiba felfedezésétől számított két hónapon belül bejelentett jótállási igényt időben közölni kell tekinteni. A közlés elmaradásából eredő kárért a fogyasztó felelős. A jótállási igény érvényesíthetőségének határideje a termék, vagy fődarabjának kicserélése esetén a csere napján újraindul.
- A rögzített bekötésű, illetve a 10 kg-nál súlyosabb, vagy tömegközlekedési eszközön nem szállítható terméket az üzemeltetés helyén kell megjavítani. Abban az esetben, ha a javítás a helyszínen nem végezhető el, a termék ki- és visszaszereléséről, valamint szállításáról a forgalmazónak kell gondoskodnia.
- A jótállás nem áll fenn, ha a hiba a nem rendeltetészerű használatból, átalakításból, helytelen tárolásból, vagy a használati utasítástól eltérő kezelésből, vagy bármely a vásárlást követő behatásból fakad, vagy elemi kár okozta, és azt a forgalmazó, vagy a szerviz bizonyítja. A jótállás nem vonatkozik a mozgó kopó alkatrészek (világítótestek, gumibroncsok stb.) rendeltetészerű felhasználódására. A szerviz és a forgalmazó a kijavítás során nem felel a terméken a fogyasztó vagy harmadik személyek által tárolt adatokért vagy beállításokért.
- Fogyasztói jogvita esetén a fogyasztó a megyei (fővárosi) kereskedelmi és iparkamarák mellett működő békéltető testület eljárását is kezdeményezheti.  
A jótállás a fogyasztó törvényből eredő szavatossági jogait és azok érvényesíthetőségét nem érinti..



A [www.lidl-service.com](http://www.lidl-service.com) weboldalon lehetősége van ennek és még sok más ismertetőnek, termékvideónak és installációs szoftvernek a letöltésére.

A QR-kóddal közvetlenül a Lidl szervizoldalára jut ([www.lidl-service.com](http://www.lidl-service.com)), ahol a 360588\_2010 cikkszám (IAN) megadásával megnyithatja a termék kezelési útmutatóját.



Kijavítást ellenőrző szelvény:

A jótállási igény bejelentésének időpontja:	A hiba oka:
Javításra átvétel időpontja:	A hiba javításának módja:
A fogyasztó részére történő visszaadás időpontja:	
A szerviz bélyegzője, kelt és aláírás:	

Kicserélést ellenőrző szelvény:

A jótállási igény bejelentésének időpontja:	
Kicserelés időpontja:	
A cserélő bolt bélyegzője, kelt és aláírás:	

1.	Razlaga simbolov na napravi .....	23
2.	Uvod .....	24
3.	Opis naprave (sl. 1 - 12) .....	24
4.	Obseg dostave .....	24
5.	Namenska uporaba .....	24
6.	Varnostni napotki .....	25
7.	Tehnični podatki .....	26
8.	Pred zagonom .....	27
9.	Zgradba in upravljanje .....	27
10.	Električni priključek .....	27
11.	Čiščenje vzdrževanje in skladiščenje .....	28
12.	Prevoz .....	29
13.	Odlaganje med odpadke in reciklaža .....	29
14.	Pomoč pri motnjah .....	30
15.	Garancijski list .....	31
16.	Izjava o skladnosti .....	63

## 1. Razlaga simbolov na napravi



SI

Pred zagonom preberite navodila za uporabo in varnostne napotke ter jih upoštevajte!



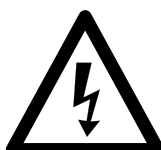
SI

Nosite zaščito za sluh. Zaradi vpliva hrupa lahko oglušite.



SI

Opozorilo pred vročimi deli! (A slika 11)



SI

Opozorilo pred električno napetostjo



SI

Opozorilo! Enota se zažene samodejno in se lahko zažene brez opozorila.



SI

Pozor! Pred prvim zagonom preverite nivo olja in zamenjajte zaporni čep za olje!



SI

Upoštevajte opozorilne in varnostne napotke!



SI

Nivo zračne moči v dB



SI

Naprave ne izpostavljajte dežju!

## 2. Uvod

### Proizvajalec:

scheppach  
Fabrikation von Holzbearbeitungsmaschinen GmbH  
Günzburger Straße 69  
D-89335 Ichenhausen

### Spoštovani kupec,

želimo vam veliko veselja in uspeha pri delu z vašo novo napravo.

### Napotek:

Proizvajalec te naprave skladno z veljavnim zakonom o odgovornosti za izdelke ne jamči za poškodbe na tej napravi ali poškodbe s to napravo, do katerih pride pri:

- nepravilnem ravnanju,
- Neupoštevanje navodil za uporabo,
- popravilih, ki jih izvedejo tretji, nepooblaščen strokovnjaki,
- vgraditvi neoriginalnih nadomestnih delov in zamenjava z njimi,
- uporaba, ki ni v skladu z namenom uporabe,
- Izpadi električne naprave zaradi neupoštevanja električnih predpisov in določil VDE 0100, DIN 57113/VDE 0113.

### Upoštevajte naslednje:

Pred montažo in zagonom preberite celotno besedilo navodil za uporabo.

Ta navodila za uporabo vam pomagajo spoznati električno orodje in izkoristiti njegove možnosti uporabe, ki so v skladu z določili.

Navodila za uporabo vsebujejo pomembne napotke o varnem, strokovnem in ekonomičnem delu z električnim orodjem, o izogibanju nevarnostim, prihranku stroškov za popravila, zmanjšanju časov izpada in povečanju zanesljivosti ter življenjske dobe električnega orodja.

Poleg varnostnih določil v teh navodilih za uporabo morate nujno upoštevati predpise svoje države, ki veljajo za uporabo električnega orodja.

Navodila za uporabo shranite poleg električnega orodja, ovita v plastični ovitek, tako da bodo zaščitena pred umazanijo in vlago. Pred sprejemom dela mora vsaka upravljalna oseba prebrati in skrbno upoštevati omenjena navodila. Na električnem orodju lahko delajo samo osebe, ki so poučene o uporabi orodja in o nevarnostih, ki so povezane s tem. Upoštevajte zahtevano najnižjo starost.

Poleg varnostnih napotkov iz teh navodil in posebnih predpisov vaše države morate pri uporabi identičnih strojev upoštevati tudi splošno veljavna tehnična pravila.

Ne prevzemamo nikakršne odgovornosti za nezgode in poškodbe, nastale zaradi neupoštevanja teh navodil in varnostnih napotkov.

## 3. Opis naprave (sl. 1–12)

1. Transportni ročaj
2. Tlačno stikalo
3. Hitra spojka (reguliran stisnjeni zrak)
4. Manometer (nastavljen tlak je mogoče odčitati)
5. Regulator tlaka
6. Manometer (tlak kotla je mogoče odčitati)
7. Hitra spojka (nereguliran stisnjen zrak)
8. Tlačna posoda
9. Oporna noga
- 9a. Podložka
- 9b. Vijak
10. Izpustni vijak za kondenzat
11. Kolo
- 11a. Podložka
- 11b. Vijak z lečasto glavo
12. Izpustni čep za olje
13. Črpalka kompresorja
14. Cev za stisnjen zrak
- 14a. Vtični priključek
- 14b. Hitra spojka
15. Zračni filter
- 15a. Transportni pokrov
- 15b. Krilati vijak
- 15c. Filtrski vložek
- 15d. Ohišje filtra
- 15e. Pokrov filtra
16. Zaporni čepi za olje
17. Stikalo za vklop/izklop
18. Kontrolno okence za olje
19. Varnostni ventil
- 19a. Izpustna matica
- 19b. Spojno varovalo
- 19c. Pokrovček izpustne matice
20. Odprtina za polnjenje olja
- 20a. Transportni pokrov

## 4. Obseg dostave

- 1 × zračni filter
- 2x oporna noga
- 2× kolo
- 1x montažni material
- 1 x zaporni čep za olje
- 1× plastenka za olje
- 1 × cev za stisnjen zrak
- 1x navodila za uporabo

## 5. Namenska uporaba

Kompresor je namenjen ustvarjanju stisnjenega zraka za orodja, ki jih poganja stisnjen zrak in lahko delujejo s količino zraka do približno 180 l/min (npr. polnilniki za pnevmatike, pištola za izpihovanje in pištola za lakiranje). Zaradi omejene količine pretočnega zraka ni mogoče uporabljati orodij, ki imajo zelo veliko porabo zraka (npr. vibracijski brusilnik, palični brusilnik in pnevmatski izvijač).

Stroj se sme uporabljati samo v skladu s predvidenim namenom. Vsaka druga uporaba, ki presega to, ni v skladu z namenom. Za škodo ali telesne poškodbe vseh vrst, ki izhajajo iz tega, je odgovoren uporabnik/upravljalavec in ne proizvajalec.

Prosimo, upoštevajte, da naše naprave namensko niso konstruirane za gospodarsko, obrtno ali industrijsko uporabo. Ne prevzemamo nobene odgovornosti, če napravo uporabljate v gospodarskih, obrtnih ali industrijskih obratih ter enakih dejavnostih.

## 6. Varnostni napotki

### ⚠ **Pozor!**

Pri uporabi električnih orodij je treba zaradi zaščite pred električnim udarom, nevarnostjo poškodb in požara upoštevati sledeče temeljne varnostne ukrepe. Pred uporabo električnega orodja preberite vse varnostne napotke in jih varno shranite.

### **Varno delo**

1. Delovni prostor vzdržujte v urejenem stanju
  - Nered v delovnem prostoru lahko povzroči nezgode.
2. Upoštevajte vplive okolice
  - Električnih orodij ne izpostavljajte dežju.
  - Električnih orodij ne uporabljajte na vlažnem ali mokrem. Nevarnost zaradi električnega udara!
  - Poskrbite za dobro osvetlitev delovnega območja.
  - Električnih orodij ne uporabljajte, če obstaja nevarnost požara ali eksplozije.
3. Zaščitite se pred električnim udarom
  - Izogibajte se stiku z ozemljenimi deli (npr. cevmi, radiatorji, električnimi štedilniki, hladilniki).
4. Otrokom ne pustite blizu!
  - Drugim osebam ne pustite, da bi se dotikale orodja in kabla, ne pustite jim blizu svojemu delovnemu območju.
5. Orodja, ki niso v uporabi, varno shranite
  - Električna orodja, ki niso v uporabi, shranite na suhem, visoko ležečem ali zaprtem mestu, izven dosega otrok.
6. Ne preobremenjujte električnega orodja
  - V navedenem območju moči lahko delate bolje in varneje.
7. Nosite primerna oblačila
  - Ne nosite širokih oblačil ali nakita, ker vas lahko zgrabijo premikajoči se deli.
  - Pri delih na prostem je priporočeno nositi gumijaste rokavice in nederseča obuvava.
  - Če imate dolge lase, nosite mrežico za lase.
8. Kabla ne uporabljajte v namene, za katere ni predviden
  - Kabla ne uporabljajte za to, da bi izvlekli vtič iz vtičnice. Kabel zaščitite pred vročino, oljem in ostrimi robovi.
9. Svoja orodja negujte s skrbnostjo
  - Kompresor mora biti čist, da lahko delate dobro in varno.
  - Upoštevajte predpise za vzdrževanje.
  - Redno preverjajte priključni vod električnega orodja in ga ob poškodovanosti predajte strokovnjaku, da ga zamenja.
  - Redno preverjajte podaljševalne vode in jih zamenjajte, če so poškodovani.
10. Izvlecite vtič iz vtičnice
  - Ob neuporabi električnega orodja, pred vzdrževanjem in pri menjavi orodij, kot npr. žagin list, vrtnik, rezkalnik.

11. Izogibajte se nenamernemu zagonu
  - Pred vklopom vtiča v vtičnico se prepričajte, da je stikalo izklopljeno.
12. Kabelski podaljšek uporabljajte na prostem.
  - Na prostem uporabljajte samo dovoljene in ustrezno označene kabelske podaljške.
  - Kabelski boben uporabljajte samo, ko je odvit.
13. Vedno bodite pozorni
  - Pazite, kaj delate. Dela se lotevajte razumno. Električnega orodja ne uporabljajte, če niste koncentrirani.
14. Preverite električno orodje glede morebitnih poškodb
  - Pred nadaljnjo uporabo električnega orodja morate pregledati zaščitne priprave ali rahlo poškodovane dele, če brezhibno in ustrezno delujejo.
  - Prepričajte se, da premični deli brezhibno delujejo, se ne zatikajo in niso poškodovani. Vsi deli morajo biti pravilno nameščeni in izpolnjevati morajo vse pogoje, da je zagotovljeno brezhibno delovanje električnega orodja.
  - Poškodovane zaščitne priprave in dele mora priznana strokovna delavnica ustrezno popraviti ali zamenjati, če v navodilih za uporabo ni podano nič drugega.
  - Poškodovana stikala mora zamenjati servisna delavnica.
  - Ne uporabljajte pomanjkljivih ali poškodovanih priključnih vodov.
  - Ne uporabljajte električnih orodij, pri katerih ni mogoče vklopiti in izklopiti stikala.
15. Vaše električno orodje naj popravlja strokovnjak za elektriko
  - To električno orodje ustreza zadevnim varnostnim določilom. Popravila lahko izvaja samo električar, s tem, da uporablja originalne nadomestne dele, sicer lahko nastane nevarnost za uporabnika.
16. Pozor!
  - Zaradi lastne varnosti uporabljajte samo pribor in dodatne naprave, ki so navedene v navodilih za uporabo ali jih priporoča ali navaja proizvajalec. Uporaba vložnih orodij ali priborov, ki niso priporočeni v navodilih za uporabo ali v katalogu, lahko predstavlja osebno nevarnost poškodbe za vas.
17. Hrup
  - Pri uporabi kompresorja nosite zaščito sluha.
18. Zamenjava priključnega voda
  - Če se priključni vod poškoduje, ga morata proizvajalec ali strokovnjak za elektriko zamenjati, da se prepreči nevarnost. Nevarnost zaradi električnih udarov.
19. Polnjenje pnevmatik
  - Neposredno po polnjenju s primernim manometrom preverite tlak v pnevmatikah, npr. na bencinski črpalki.
20. Prevozni kompresorji za delovanje na gradbiščih
  - Pazite, da so vse gibke cevi in armature primerne za najvišji dovoljen delovni tlak kompresorja.
21. Mesto postavitve
  - Kompresor postavite samo na ravno površino.
22. Priporočljivo je, da dovodne gibke cevi pri tlakih nad 7 bar opremite z varnostnim kablom, npr. z žično vrvjo.
23. Izogibajte se močnim obremenitvam sistema vodov, tako da uporabite fleksibilne cevne priključke, da ne nastanejo mesta pregibanja.
24. Poskrbite, da so priprave za hlajenje olja vedno čiste, zaščitne naprave pa vedno v ustreznem stanju.

25. Nevarnost opeklin zaradi vročega olja
- Nosite primerne zaščitne rokavice.
  - Kompresorja nikoli ne uporabljajte v bližini odprtega plamenenja.
  - Pazite, da se olje ne razlije.
26. Pri nizkih temperaturah pod 0 °C zagon motorja ni dovoljen.

### Dodatni varnostni napotki

#### Varnostni napotki za delo s stisnjanim zrakom in pištolami za izpihovanje

- Črpalka kompresorja in vodi med delovanjem dosežejo visoke temperature. Dotiki vodijo do opeklin.
- V zraku, ki ga vsesa kompresor, ne sme biti primesi, ki v črpalci kompresorja lahko privedejo do požarov ali eksplozij.
- Pri odklapanju cevne spojke z roko držite spojni kos gibke cevi. Tako se izognete telesnim poškodbam zaradi gibke cevi, ki jo vrže nazaj.
- Pri delu s pištolo za izpihovanje nosite zaščitna očala. Tujki in deli, ki jih odpihne v stran, zlahka povzročijo telesne poškodbe.
- S pištolo za izpihovanje ne pihajte v ljudi ali oblačila na telesu. Nevarnost poškodb!

#### Varnostni napotki pri brizganju barv

- Ne delajte z laki ali topili z vnetiščem pod 55 °C. Nevarnost eksplozije!
- Lakov ali topil ne segrevajte. Nevarnost eksplozije!
- Če delate z zdravju škodljivimi tekočinami, za zaščito potrebujete filtrirne naprave (maske za obraz). Upoštevajte tudi podatke in zaščitne ukrepe, ki jih navajajo proizvajalci takšnih snovi.
- Upoštevati je treba podatke in oznake uredbe o nevarnih snoveh na dodatnih ovojinah obdelanih materialov. Po potrebi je treba sprejeti dodatne zaščitne ukrepe, zlasti nošenje primernih oblačil in mask.
- Med brizganjem ter v delovnem prostoru ni dovoljeno kaditi. Nevarnost eksplozije! Tudi plini barv so lahko vnetljivi.
- Kurišča, odprta luč ali stroji, ki ustvarjajo iskre, ne smejo biti prisotni oz. jih ni dovoljeno uporabljati.
- Jedi in napitkov ne hranite ali uživajte v delovnem prostoru. Plini barv so zdravju škodljivi.
- Delovni prostor mora biti večji od 30 m<sup>3</sup> in zagotovljen mora biti zadosten pretok zraka pri brizganju in sušenju.
- Ne brizgajte proti vetru. Pri brizganju gorljivih oz. nevarnih snovi za brizganje dosledno upoštevajte določila lokalnega policijskega oddelka.
- V povezavi s tlačno gibko cevjo iz PVC ne delajte z mediji, kot so beli špirit, butilni alkohol in metilen klorid. Ti mediji uničijo tlačno gibko cev.
- Pri uporabi v kombinaciji z dodatno opremo za brizganje (npr. brizgalna pištola za barvo): med polnjenjem držite brizgalno napravo stran od naprave in ne brizgajte v smeri kompresorja.

#### Delo s tlačnimi posodami

- Kdor dela s tlačno posodo, jo mora vzdrževati v ustreznem stanju, ustrezno delati z njo, nadzorovati, nemudoma izvesti potrebna vzdrževalna dela in popravila in v skladu z razmerami sprejeti potrebne varnostne ukrepe.

- Nadzorni organ lahko v posamičnem primeru odredi potrebne nadzorne ukrepe.
- Tlačne posode ni dovoljeno uporabljati, če ima napake, zaradi katerih so ogroženi zaposleni ali tretje osebe.
- Pred vsako uporabo preverite tlačno posodo, če je rjasta in poškodovana. Kompresorja ni dovoljeno uporabljati s poškodovano ali rjasto tlačno posodo. Če opazite poškodbe, se obrnite na servisno delavnico za stranke.

### Varnostne napotke skrbno shranite.

#### Preostalo tveganje

Upoštevajte določene vzdrževalne in varnostne napotke v navodilih za uporabo.

Pri delu bodite vedno pazljivi in poskrbite, da so druge osebe na varni razdalji od vašega delovnega mesta.

Tudi pri pravilni uporabi naprave obstaja vedno določeno preostalo tveganje, ki ga ni mogoče izključiti. Na podlagi vrste in konstrukcije naprave je mogoče določiti naslednje možne nevarnosti:

- nenameren zagon izdelka,
- poškodbe sluha, če uporabnik ne nosi predpisane zaščite za sluh,
- delci umazanije, prah ipd. lahko kljub nošenju zaščitnih očal pridejo v vaše oči ali se sprimejo vašega obraza,
- vdihavanje delcev, ki se dvigajo.

#### Opozorilo!

To električno orodje med delovanjem ustvarja elektromagnetno polje. To polje lahko v določenih okoliščinah vpliva na aktivne ali pasivne medicinske vsadke. Zaradi zmanjšanja nevarnosti resnih ali smrtnih poškodb, osebam z medicinskimi vsadki priporočamo, da se pred uporabo električnega orodja posvetujejo s svojim zdravnikom ali proizvajalcem medicinskega vsadka.

## 7. Tehnični podatki

Omrežni priključek .....	230 V~ 50 Hz
Motorna moč.....	1800 W
Način delovanja.....	S1
Število vrtljajev kompresorja.....	2850 min <sup>-1</sup>
Prostornina tlačne posode .....	pribl. 24 l
Največji obratovalni tlak.....	pribl. 10 barov
Teoretična sesalna moč.....	pribl. 260 l/min
Raven hrupa L <sub>PA</sub> .....	72,9 dB(A)
Nivo moči zvoka L <sub>WA</sub> .....	92,9 dB(A)
Negotovost K <sub>PA/WA</sub> .....	2,59 dB
Stopnja zaščite .....	IP32
Teža naprave.....	približno 26,8 kg
Olje (SAE 15W 40).....	pribl. 0,25 l
Maksimalna višina postavitve (n.v.) .....	1000 m

Vrednosti emisij hrupa so bile ugotovljene v skladu z EN ISO 3744 1995.

#### Nosite zaščito za sluh.

Zaradi vpliva hrupa lahko oglušite.

## 8. Pred zagonom

- Odprite embalažo in napravo previdno vzemite ven.
- Odstranite embalažni material ter embalažna in transportna varovala (če obstajajo).
- Preverite, ali je obseg dostave celovit.
- Preverite, če so se naprava in deli pribora poškodovali med transportom.
- Po možnosti embalažo shranite do preteka garancijskega časa.

### NEVARNOST

**Naprava in embalažni material nista otroški igrači! Otroci se ne smejo igrati s plastičnimi vrečkami, folijami in majhnimi deli! Obstaja nevarnost, da jih pogoltnejo in se z njimi zadušijo!**

Pred priključitvijo se prepričajte, da se podatki na tipski ploščici ujemajo s podatki o električnem omrežju.

- Pred prvim zagonom odstranite transportni pokrov (20a) in ohišje črpalke kompresorja napolnite z oljem, kot je opisano v točki 9.4.
- Preverite napravo, če je utrpela poškodbe pri transportu. Morebitne poškodbe takoj sporočite transportnemu podjetju, ki je dostavilo kompresor.
- Kompresor je treba postaviti v bližini porabnika.
- Izogibati se je treba dolgim vodom za zrak in kratkim dovozom (podaljševalni kabel).
- Pazite, da je vsesani zrak suh in brez prahu.
- Kompresorja ne postavljajte v vlažnem ali mokrem prostoru.
- Kompresor je dovoljeno uporabljati samo v primernih prostorih (dobro prezračevani, temperatura okolice od +5 °C do 40 °C). V prostoru ne sme biti prahu, kislin, hlapov, eksplozivnih ali vnetljivih plinov.
- Kompresor je primeren za uporabo v suhih prostorih. V območjih, kjer se dela z brizgajočo vodo, uporaba ni dovoljena.
- Pred zagonom morate preveriti raven olja v ohišju črpalke kompresorja.

## 9. Zgradba in upravljanje

### ⚠ Pozor!

**Pred zagonom obvezno v celoti montirajte napravo!**

Za montažo potrebujete:

- 1 × viličasti ključ 13 mm
- 1 × izvijač s križno glavo
- (ni vključen v obseg dostave)

### 9.1 Namestitev koles (slika 4)

- Namestite priložena kolesa (11), kot je prikazano.

### 9.2 Namestitev oporne noge (slika 5)

- Namestite priloženo oporno nogo (9), kot je prikazano.

### 9.3 Montaža zračnega filtra (sliki 6 in 7)

- Odstranite transportni pokrov (15a) in trdno privijte zračni filter (15) v napravo.

### 9.4 Dolivanje olja (sliki 8 in 9)

- Odstranite transportni pokrov (20a) z odprtine za polnjenje olja (20).
- Priloženo olje za kompresor nalijte v ohišje črpalke kompresorja in vstavite priložen zaporni čep za olje (16) v odprtino za polnjenje olja (20).

### 9.5 Omrežni priključek

- Kompresor je opremljen z električnim vodom z varnostnim vtičem. Tega je mogoče priključiti na vsako varnostno vtičnico 220–240 ~ 50 Hz, ki je zaščitena z varovalko 16 A.
- Pred zagonom pazite, da se omrežna napetost ujema z delovno napetostjo in močjo stroja, ki sta navedeni na tipski ploščici.
- Dolgi dovodi ter podaljški, kabelski bobni itd. povzročijo upad napetosti in lahko preprečijo zagon motorja.
- Pri nizkih temperaturah pod +5 °C je zagon motorja ogrožen zaradi težke gibljivosti.

### 9.6 Stikalo za vklop/izklop (slika 2)

- Za vklop kompresorja stikalo za vklop/izklop (17) povlecite navzgor. Za izklop stikalo za vklop/izklop (17) potisnite navzdol.

### 9.7 Opis naprave (sliki 1 in 3)

- Z regulatorjem tlaka (5) nastavite tlak na manometru (4).
- Nastavljen tlak lahko sprostite na hitri spojki (3).
- Na manometru (6) odčitajte tlak kotla.
- Tlak v kotlu lahko odvajate na hitri spojki (7).

### 9.8 Nastavitev tlačnega stikala (slika 1)

- Tlačno stikalo (2) je tovarniško nastavljeno.  
Vklonni tlak pribl. 8 barov  
Izklopni tlak pribl. 10 barov

### 9.9 Montaža gibke cevi za stisnjen zrak (sliki 1 in 3)

- Vtični priključek (14a) gibke cevi za stisnjen zrak (14) priključite na eno od hitrih spojk (3, 7).
- Nato priključite orodje za stisnjeni zrak na hitro spojko (14b) gibke cevi za stisnjen zrak (14).

### 9.10 Zaščitno termično stikalo

Zaščitno termično stikalo je vgrajeno v napravo.

Če se zaščitno termično stikalo sproži, storite naslednje:

- Izvlecite omrežni vtič.
- Počakajte pribl. tri minute.
- Znova priključite napravo.
- Če se naprava ne zažene, ponovite postopek.
- Če se naprava še vedno ne zažene, napravo znova izklopite in vklopite s stikalom za vklop/izklop (17).
- Če ste izvedli vse zgornje korake in naprava kljub temu ne deluje, se obrnite na našo servisno službo.

## 10. Električni priključek

**Nameščeni elektromotor je priključen, tako da je pripravljen za uporabo. Priključek ustreza zadevnim standardom VDE in DIN. Omrežni priključek in uporabljen podaljšek na strani kupca morata ustrezati predpisom.**

## 10.1 Pomembni napotki

Pri preobremenitvi motorja se ta samodejno izklopi. Po določenem času hlajenja (različni časi) lahko motor znova vklopite.

## 10.2 Poškodovan električni priključni vod

Na električnih priključnih vodih pogosto nastanejo poškodbe izolacije.

Vzroki za to so lahko:

- Otiščanci, če priključne vode speljete skozi okna ali reže vrat.
- Pregibi zaradi nepravilne pritrditve ali vodenja priključnih vodov.
- Rezi zaradi vožnje preko priključnih vodov.
- Poškodbe izolacije zaradi iztrganja iz stenske vtičnice.
- Pretrgana mesta zaradi staranja izolacije.

Takih poškodovanih električnih priključnih vodov ne smete uporabljati, ker so zaradi poškodb izolacije smrtno nevarni.

Redno preverjajte, če so električni priključni vodi poškodovani. Pri tem pazite, da priključni vod pri preverjanju ne bo visel na električnemu omrežju.

Električni priključni vodi morajo ustrezati zadevnim določilom VDE in DIN. Uporabljajte samo priključne vode z enako oznako. Po predpisih mora biti oznaka tipa priključnega voda natisnjena na njem.

## 10.3 Motor na izmenični tok

- Omrežna napetost mora znašati 220–240 V~ 50 Hz.
- Podaljševalni vodi do 25 m morajo imeti prečni prerez 1,5 kvadratnega milimetra.

Priključevanje in popravila električne opreme lahko izvajajo samo električarji.

V primeru povpraševanja morate navesti spodnje podatke:

- Vrsta toka, ki napaja motor
- Podatki tipske ploščice stroja
- Podatki na tipski ploščici motorja

## 11. Čiščenje vzdrževanje in skladiščenje

### ⚠ Pozor!

Pred vsemi čiščenji in vzdrževalnimi deli izvlecite omrežni vtič! Nevarnost telesnih poškodb zaradi udarov toka!

### ⚠ Pozor!

Počakajte, da se naprava popolnoma ohladi! Nevarnost opeklin!

### ⚠ Pozor!

Pred vsemi čiščenji in vzdrževalnimi deli sprostite tlak iz naprave! Nevarnost poškodb!

### 11.1 Čiščenje

- Na napravi mora biti čim manj prahu in umazanije. Zdrgnite napravo s čisto krpo ali jo izpihajte s stisnjenim zrakom pod nizkim tlakom.
- Priporočamo, da napravo očistite neposredno po vsaki uporabi.

- Napravo redno čistite z vlažno krpo in malo mazavega mila. Ne uporabljajte agresivnih čistil ali topil, ker lahko poškodujejo plastične dele naprave. Pazite, da v notranjost naprave ne vdre voda.
- Pred čiščenjem kompresorja je treba odklopiti gibko cev in orodja za brizganje. Kompresorja ni dovoljeno čistiti z vodo, topili ali podobnimi sredstvi.

### 11.2 Vzdrževanje tlačne posode (slika 1)

#### Pozor!

Za uporabnost tlačne posode (8) morate po vsaki uporabi izpustiti kondenzat, tako da odprete izpustni vijak (10).

Pred tem sprostite tlak kotla (glejte 11.8.1). Izpustni vijak (10) odprete tako, da ga obračate v levo (smer gledanja od spodnje strani kompresorja proti vijaku), da lahko kondenzat v ceLOTI izteče iz tlačne posode (8).

Zatem ponovno privijte izpustni vijak (10) (obračanje v desno). Pred vsako uporabo preverite tlačno posodo (8), če je rjasta in poškodovana.

Kompresorja ni dovoljeno uporabljati s poškodovano ali rjasto tlačno posodo (8). Če opazite poškodbe, se obrnite na servisno delavnico za stranke.

#### ⚠ Pozor!

Kondenzat iz tlačne posode (8) vsebuje ostanke olja. Kondenzat odstranite na okolju prijazen način na ustreznem zbirnem mestu.

### 11.3 Varnostni ventil (slika 3)

Varnostni ventil (19) je nastavljen na najvišji dovoljen tlak tlačne posode (8). Varnostnega ventila (19) ni dovoljeno premikati ali odstraniti vezne varovalke (19b) med izpustno matico (19a) in njenim pokrovom (19c). Da varnostni ventil (19) pravilno deluje, ko je potrebno, ga je treba aktivirati na vsakih 30 obratovnih ur oziroma najmanj trikrat letno. Za odpiranje obrnite perforirano izpustno matico (19a) v nasprotni smeri urnega kazalca in nato drog ventila ročno povlecite čez perforirano izpustno matico (19a) navzven, da odprete izpust varnostnega ventila (19). Ventil nato slišno izpusti zrak. Na koncu znova zategnite izpustno matico (19a) v smeri urnega kazalca.

### 11.4 Redno preverjajte raven olja (slika 10)

Postavite kompresor na ravno površino.

Raven olja mora biti med oznakama MAX in MIN v kontrolnem okencu za olje (18).

Menjava olja: Priporočeno olje: SAE 15W 40 ali enakovredno olje. Prvo polnjenje je treba zamenjati po prvih 100 obratovnih urah. Nato je treba vsakih 500 obratovnih ur izpustiti olje in napolniti novo.

### 11.5 Menjava olja (slike 1, 9, 10)

Izklopite motor in izvlecite omrežni vtič iz vtičnice. Odstranite zaporni čep za olje (16). Ko ste izpustili morebiten zračni tlak, lahko odvijete izpustni vijak za olje (12) na črpalki kompresorja (13).

Da olje ne bo nenadzorovano iztekalo, postavite manjšo kovinsko posodo in olje prestrezite vanjo. Če olje ne izteče v celoti, priporočamo, da kompresor nekoliko nagnete. Ko olje izteče, znova vstavite izpustni vijak za olje (12).



## Staro olje zavržite na primernem zbirnem mestu za izrabljeno olje.

Za dolivanje ustrezne količine olja pazite, da bo kompresor stal na ravni površini. Napolnite novo olje v odprtino za polnjenje olja (20), dokler raven olja ne doseže največje količine. Ta je označena z rdečo točko na kontrolnem okencu za olje (18) (slika 10).

Ne prekoračite največje količine polnjenja. Prekomerno polnjenje lahko poškoduje napravo. Zaporni čep za olje (16) znova vstavite v odprtino za polnjenje olja (20).

### 11.6 Čiščenje zračnega filtra (slike 3, 11, 12)

Zračni filter (15) preprečuje vsesavanje prahu in nečistoč. Ta zračni filter (15) je treba očistiti vsakih 300 obratovnih ur. Zamašen zračni filter močno zmanjša učinkovitost kompresorja.

Odstranite zračni filter (15), tako da odvijete krilati vijak (15b). Nato snemite pokrov filtra (15e). Zdaj lahko odstranite filterški vložek (15c) in ohišje filtra (15d). Previdno iztepite filterški vložek (15c), pokrov filtra (15e) in ohišje filtra (15d). Te sestavne dele morate nato spihati s stisnjenim zrakom (prib. 3 bare) in jih namestiti v obratnem vrstnem redu.

### 11.7 Informacije o servisu

Upoštevajte, da so pri tem izdelku sledeči deli podvrženi obrabi, ki izhajajo iz uporabe, ali naravni obrabi oz. so sledeči deli potrebni kot potrošni material.

Potrošni material\*: Zračni filter

\* Ni nujno v obsegu dostave!

### 11.8 Skladiščenje

#### ⚠ Pozor!

**Izvlomite omrežni vtič, prezračite napravo in vsa priključena pnevmatska orodja. Kompresor odložite tako, da ga nepooblaščen osebe ne morejo uporabljati.**

#### ⚠ Pozor!

**Kompresor shranite samo v suhem okolju, ki ni dostopno nepooblaščenim osebam. Ne vračate ga, shranite ga samo v stoječem položaju! Olje lahko izteče!**

#### 11.8.1 Sproščanje nadtlaka

Nadtlak sprostite iz kompresorja tako, da izklopite kompresor in porabite stisnjen zrak, ki je še v tlačni posodi (8), npr. z orodjem za stisnjeni zrak v prostem teku ali s pištolo za izpihovanje.

## 12. Prevoz

Pri prevozu uporabljajte transportni ročaj (1) in z njim premikajte kompresor.

Pri dviganju kompresorja upoštevajte njegovo težo (glejte Tehnični podatki).

Pri prevozu kompresorja v motornih vozilih poskrbite, da bo tovar dobro zavarovan.

## 13. Odlaganje med odpadke in reciklaža

Naprava je zaradi preprečitve poškodb med transportom v embalaži. Ta embalaža je iz surovine in je zato ponovno uporabna ali jo lahko vrnete v surovinski cikel.

Naprava in njen pribor so iz različnih materialov, kot npr. iz kovine in umetnih snovi. Okvarjene sestavne dele zavržite med posebne odpadke. Povprašajte v specializirani trgovini ali v občinski upravi!



**Embalaža je narejena iz materialov, prijaznih do okolja, ki jih lahko odvržete v lokalnih obratih za recikliranje.**

**Več informacij o odlaganju iztrošene naprave med odpadke izveste pri lokalni skupnosti ali občinski upravi.**

**Odpadne opreme ne odvržite med gospodinjске odpadke!**



Ta simbol označuje, da je tega izdelek v skladu z Direktivo o odpadni električni in elektronski opremi (2012/19/EU) in v skladu z nacionalno zakonodajo ni dovoljeno odvreči med gospodinjске odpadke. Ta izdelek je treba dostaviti na ustrezno zbirno mesto. Lahko ga npr. vrnete ob nakupu podobnega izdelka ali pa ga predate na zbirnem mestu, ki je pristojno za reciklažo odpadne električne in elektronske opreme. Neustrezno ravnanje starimi napravami lahko zaradi potencialno nevarnih snovi, ki so pogosto vsebovane v odpadni električni in elektronski opremi, predstavlja nevarnost za okolje in človeško zdravje. Če ta izdelek pravilno zavržete, prispevate tudi k učinkoviti rabi naravnih virov. Informacije o zbirnih mestih odpadne opreme dobite pri mestni upravi, lokalnem organu, ki je pristojen za ravnanje z odpadki, pri pooblaščenem zbirnem centru za odstranjevanje odpadne električne in elektronske opreme ali pri svojem komunalnem podjetju.

## 14. Pomoč pri motnjah

Motnja	Mogoč vzrok	Ukrep
Kompresor se ne zažene.	Ni omrežne napetosti.	Preverite kabel, omrežni vtič, varovalko in vtičnico.
	Omrežna napetost je prenizka.	Izogibajte se predolgim podaljševalnim kablom. Uporabite podaljševalni kabel z zadostnim presekom žil.
	Zunanja temperatura je prenizka.	Ne uporabljajte pri zunanji temperaturi, nižji od +5 °C.
	Motor je pregret.	Počakajte, da se motor ohladi, in po potrebi odpravite vzrok pregretja.
Kompresor deluje, vendar ni tlaka.	Varnostni ventil (19) ne tesni.	Obrnite se na lokalni servis. Popravila smejo izvajati le izšolane osebe.
	Tesnila so zanič.	Preverite tesnila, strokovna delavnica naj zamenja zanič tesnila.
	Izpustni vijak za kondenzat (10) ne tesni.	Z roko zategnite vijak. Preverite tesnilo na vijaku in ga po potrebi zamenjajte.
Kompresor deluje, na manometru je prikazan tlak, vendar orodja ne delujejo.	Spojgi gibke cevi so netesni.	Preverite gibko cev za stisnjen zrak in orodja ter jih po potrebi zamenjajte.
	Hitra spojka je netesna.	Obrnite se na lokalni servis. Popravila smejo izvajati le izšolane osebe.
	Na regulatorju tlaka (5) je nastavljen prenizek tlak.	Bolj odprite regulator tlaka.

## 15. Garancijski list

### Proizvajalec:

scheppach Fabrikation von Holzbearbeitungsmaschinen GmbH  
Günzburger Straße 69  
DE-89335 Ichenhausen

### Pooblašчени serviser (SI):

Top Nova d.o.o.  
Brodisce 22  
SI - 1236 Trzin

### Telefonska št. servisa (SI):

+800 4003 4003  
(0,00 €/Min.)

### E-poštni naslov (SI):

service.SI@scheppach.com

Garancijski list

1. S tem garancijskim listom scheppach Fabrikation von Holzbearbeitungsmaschinen GmbH jamčimo, da bo izdelek v garancijskem roku ob normalni in pravilni uporabi brezhibno deloval in se zavezujemo, da bomo ob izpolnjenih spodaj navedenih pogojih odpravili morebitne pomanjkljivosti in okvare zaradi napak v materialu ali izdelavi oziroma po svoji presoji izdelek zamenjali ali vrnili kupnino.
2. Garancija je veljavna na ozemlju Republike Slovenije.
3. Garancijski rok za proizvod je 3 od datuma izročitve blaga. Datum izročitve blaga je razviden iz računa.
4. Kupec je dolžan okvaro javiti pooblaščenemu servisu oziroma se informirati o nadaljnjih postopkih na zgoraj navedeni telefonski številki. Svetujemo vam, da pred tem natančno preberete navodila o sestavi in uporabi izdelka.
5. Kupec je dolžan pooblaščenemu servisu predložiti garancijski list in račun, kot potrdilo in dokazilo o nakupu ter dnevu izročitve blaga.
6. V primeru, da proizvod popravlja nepooblaščen servis ali oseba, kupec ne more uveljavljati zahtevkov iz te garancije.
7. Vzroki za okvaro oziroma nedelovanje izdelka morajo biti lastnosti stvari same in ne vzroki, ki so zunaj proizvajalčeve oziroma prodajalčeve sfere. Kupec ne more uveljavljati zahtevkov iz te garancije, če se ni držal priloženih navodil za sestavo in uporabo izdelka ali če je izdelek kakorkoli spremenjen ali nepravilno vzdrževan.
8. Jamčimo servis in rezervne dele še 3 leta po preteku garancijskega roka.
9. Obrabni deli oz. potrošni material so izvzeti iz garancije.
10. Vsi potrebni podatki za uveljavljanje garancije se nahajajo na dveh ločenih dokumentih (garancijski list, račun).
11. Ta garancija proizvajalca ne izključuje pravic potrošnika, ki izhajajo iz odgovornosti prodajalca za napake na blagu.

Prodajalec:

Lidl Slovenija d.o.o. k.d., Pod lipami 1, SI-1218 Komenda



S spletne strani [www.lidl-service.com](http://www.lidl-service.com) si lahko prenesete ostale priročnike, videoposnetke o izdelkih in namestitveno programsko opremo.

S kodo QR neposredno odprete Lidlovo storitveno spletno stran ([www.lidl-service.com](http://www.lidl-service.com)), kjer lahko z vnosom številke izdelka (IAN) 360588\_2010 odprete ustrezna navodila za uporabo.

1.	Vysvětlení symbolů na přístroji .....	33
2.	Úvod .....	34
3.	Popis zařízení (obr. 1-12).....	34
4.	Rozsah dodávky.....	34
5.	Použití v souladu s určením.....	34
6.	Bezpečnostní pokyny .....	35
7.	Technické údaje.....	37
8.	Před uvedením do provozu.....	37
9.	Montáž a obsluha.....	37
10.	Elektrické připojení.....	38
11.	Čištění, údržba a skladování.....	38
12.	Přeprava.....	39
13.	Likvidace a recyklace.....	39
14.	Odstraňování poruch.....	40
15.	Záruční list .....	41
16.	Prohlášení o shodě.....	63

## 1. Vysvětlení symbolů na přístroji



(CZ)

Před uvedením do provozu si přečtěte a dodržujte návod k obsluze a bezpečnostní pokyny!



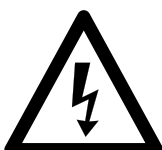
(CZ)

Používejte ochranu sluchu. Působení hluku může vést ke ztrátě sluchu.



(CZ)

Varování před horkými díly! (A obr. 11)



(CZ)

Varování před elektrickým napětím



(CZ)

Varování! Jednotka se spouští automaticky a smí se rozběhnout bez varování.



(CZ)

Pozor! Před prvním uvedením do provozu zkontrolujte množství oleje a vyměňte olejovou zátku!



(CZ)

Dodržujte výstražné a bezpečnostní pokyny!



(CZ)

Údaje o hladině akustického výkonu v dB



(CZ)

Přístroj nikdy nevystavujte dešti!

## 2. Úvod

### Výrobce:

scheppach  
Fabrikation von Holzbearbeitungsmaschinen GmbH  
Günzburger Straße 69  
D-89335 Ichenhausen

### Vážení zákazníku,

přejeme vám mnoho radosti a úspěchu při práci s novým přístrojem.

### Upozornění:

Výrobce tohoto zařízení neručí podle platného zákona o odpovědnosti za vady výrobku za škody, které vzniknou na tomto zařízení nebo jeho prostřednictvím v případě:

- neodborné manipulace,
- Nedodržování návodu k obsluze,
- oprav prostřednictvím třetích osob, neautorizovaných odborníků,
- montáže a výměny neoriginálních náhradních dílů,
- použití, které není v souladu s určením,
- výpadků elektrického zařízení v případě nedodržení elektrických předpisů a ustanovení VDE 0100, DIN 57113 / VDE 0113.

### Mějte na paměti:

Před montáží a zprovozněním si přečtěte celý text návodu k obsluze.

Tento návod k obsluze vám má usnadnit seznámení s elektrickým nástrojem a jeho používání v souladu s určením.

Návod k obsluze obsahuje důležité pokyny, jak s elektrickým nástrojem pracovat bezpečně, odborně a ekonomicky, abyste se vyhnuli rizikům, ušetřili náklady za opravy, omezili dobu nečinnosti a zvýšili spolehlivost a životnost elektrického nástroje.

Kromě bezpečnostních ustanovení tohoto návodu k obsluze musíte bezpodmínečně dodržovat předpisy své země, které platí pro provoz elektrického nástroje.

Uchovávejte návod k obsluze u elektrického nástroje v plastovém obalu, který jej bude chránit před znečištěním a vlhkostí.

Před započatím práce si jej musí každý pracovník obsluhy přečíst a pečlivě jej dodržovat. S elektrickým nástrojem smí pracovat jen osoby, které jsou poučeny o jeho použití a informovány o nebezpečí, která jsou s ním spojena. Dodržujte minimální požadovaný věk obsluhy.

Kromě bezpečnostních pokynů, které jsou obsaženy v tomto návodu k obsluze, a zvláštních předpisů vaší země, je při provozu konstrukčně stejných strojů zapotřebí dodržovat všeobecně uznávaná technická pravidla.

Nepřebíráme žádnou záruku za nehody nebo škody způsobené nedodržením tohoto návodu a bezpečnostních pokynů.

## 3. Popis zařízení (obr. 1-12)

1. Přepavní úchyt
2. Tlakový spínač
3. Rychlospojka (regulovaný stlačený vzduch)
4. Manometr (nastavený tlak lze odečíst)
5. Regulátor tlaku
6. Manometr (tlak kotle lze odečíst)
7. Rychlospojka (neregulovaný stlačený vzduch)
8. Tlaková nádoba
9. Podpěrná noha
- 9a. Příložka
- 9b. Šroub
10. Výpustný šroub pro kondenzační vodu
11. Kolo
- 11a. Příložka
- 11b. Šroub s čokovitou hlavou
12. Vypouštěcí šroub oleje
13. Čerpadlo kompresoru
14. Hadice stlačeného vzduchu
- 14a. Nástrčná spojka
- 14b. Rychlospojka
15. Vzduchový filtr
- 15a. Přepavní kryt
- 15b. Křídlový šroub
- 15c. Filtrační vložka
- 15d. Filtrační skříň
- 15e. Kryt filtru
16. Zátka oleje
17. Spínač / vypínač
18. Olejovaznak
19. Pojistný ventil
- 19a. Vypouštěcí matice
- 19b. Zajištění spoje
- 19c. Krytka vypouštěcí matice
20. Plnicí otvor oleje
- 20a. Přepavní kryt

## 4. Rozsah dodávky

- 1 x vzduchový filtr
- 2x podpěrná noha
- 2 x kolo
- 1 x montážní materiál
- 1x olejová zátka
- 1x nádoba s olejem
- 1 x hadice stlačeného vzduchu
- 1x návod k obsluze

## 5. Použití v souladu s určením

Kompresor slouží k vytvoření stlačeného vzduchu pro pneumaticky poháněné nástroje, které lze ovládat pomocí množství vzduchu do cca 180 l/min. (např. zařízení na huštění pneumatik, vyfukovací pistole a lakovací pistole). V důsledku omezeného množství dodávaného vzduchu není možné pohánět nástroje, které mají velmi vysokou spotřebu vzduchu (např. oscilační brusky, tyčové brusky a nárazové šroubováky).

Stroj se smí používat pouze v souladu s jeho určením. Jakékoli jiné použití je v rozporu s určením. Za škody nebo zranění všeho druhu, které vzniknou na základě použití v rozporu s určením, zodpovídá uživatel/obsluhující osoba a ne výrobce.

Respektujte prosím, že náš přístroj v souladu s určením není konstruován pro komerční, řemeslné a průmyslové použití. Nepřebíráme zodpovědnost v případě, když se přístroj použije v komerčních, řemeslných nebo průmyslových provozech, a při srovnatelných činnostech.

## 6. Bezpečnostní pokyny

### ⚠ **Pozor!**

Při používání elektrického nářadí se na ochranu proti zraněním způsobeným elektrickým proudem a proti požáru musí dodržovat následující základní bezpečnostní předpisy. Před použitím tohoto elektrického nářadí si přečtěte všechna tato upozornění a bezpečnostní pokyny dobře uložte.

### **Bezpečná práce**

1. Udržujte svoji pracovní oblast v pořádku
  - Nepořádek v pracovní oblasti může mít za následek nehody.
2. Zohledněte okolní vlivy
  - Nevystavujte elektrické nástroje dešti.
  - Nepoužívejte elektrické nástroje ve vlhkém nebo mokřem prostředí. Nebezpečí zásahu elektrickým proudem!
  - Zajistěte dobré osvětlení pracovní oblasti.
  - Elektrický nástroj nepoužívejte, hrozí-li nebezpečí požáru nebo výbuchu.
3. Chraňte se před zasažením elektrickým proudem
  - Zabraňte kontaktu těla s uzemněnými díly (např. trubkami, radiátory, elektrickými plotnami, chladicími zařízeními).
4. Držte mimo dosah dětí!
  - Nenechte další osoby, aby se dotýkaly nástroje a kabelu, nepouštějte je do vaší pracovní oblasti.
5. Nepoužívané elektrické nástroje bezpečně uložte
  - Nepoužívané elektrické nástroje by měly být uloženy na suchém, vysoko položeném nebo uzamčeném místě, mimo dosah dětí.
6. Nepřetěžujte elektrický nástroj
  - V uvedeném rozsahu výkonu budete pracovat lépe a bezpečněji.
7. Noste vhodný oděv
  - Nenoste volný oděv nebo šperky, mohly by být zachyceny pohyblivými díly.
  - Při práci venku se doporučují gumové rukavice a neklouzává obuv.
  - V případě dlouhých vlasů noste vlasovou síťku.
8. Nepoužívejte kabel k účelům, pro které není určen
  - Nepoužívejte kabel k vytažení zástrčky ze zásuvky. Chraňte kabel před horkem, olejem a ostrými hranami.
9. Pečujte svědomitě o své nástroje
  - Udržujte svůj kompresor v čistotě, abyste mohli pracovat dobře a bezpečně.
  - Dodržujte předpisy pro údržbu.
  - Kontrolujte pravidelně připojovací vedení elektrického nástroje a nechte je při poškození vyměnit uznávaným odborníkem.

- Kontrolujte pravidelně prodlužovací vedení a v případě poškození je vyměňte.
10. Vytáhněte vidlici z elektrické zásuvky
    - Pokud elektrický nástroj nepoužíváte, před údržbou a při výměně nástrojů, např. pilového listu, vrtáků, fréz.
  11. Vyhnete se neúmyslnému spuštění
    - Ujistěte se, že je spínač při zasunutí vidlice do elektrické zásuvky vypnutý.
  12. Venku používejte prodlužovací kabel
    - Venku používejte pouze k tomu schválené a odpovídajícím způsobem označené prodlužovací kabely.
    - Naviják prodlužovacích kabelů používejte pouze s odvinutým kabelem.
  13. Buďte vždy pozorní
    - Dávejte pozor na to, co děláte. Pracujte s rozumem. Elektrický nástroj nepoužívejte, jestliže se nesoustředíte.
  14. Zkontrolujte elektrický nástroj, zda není případně poškozený
    - Před dalším používáním elektrického nástroje se musí ochranná zařízení nebo lehce poškozené díly pečlivě prohlédnout, zda fungují bezvadně a v souladu s určením.
    - Zkontrolujte, zda pohyblivé díly bezvadně fungují a nejsou vzpříčené, a zda nejsou díly poškozené. Veškeré díly musí být správně namontované a splňovat všechny podmínky pro zaručení bezvadného provozu elektrického nástroje.
    - Poškozená ochranná zařízení a díly musí v souladu s určením opravit nebo vyměnit uznávaná odborná dílna, není-li v návodu k obsluze uvedeno jinak.
    - Poškozené spínače musí být nahrazeny v dílně zákaznického servisu.
    - Nepoužívejte žádné vadné nebo poškozené přívodní kabely.
    - Nepoužívejte elektrické nástroje, u nichž nelze zapnout a vypnout spínač.
  15. Svůj elektrický nástroj nechte opravovat odbornými elektrikáři
    - Toto elektrické nářadí odpovídá příslušným bezpečnostním předpisům. Opravy smí provádět pouze kvalifikovaný elektrikář s používáním originálních náhradních dílů; jinak může dojít k úrazům uživatele.
  16. Pozor!
    - Pro svou vlastní bezpečnost používejte pouze příslušenství a přídatné přístroje, které jsou uvedeny v návodu k obsluze nebo které doporučuje nebo uvádí výrobce. Použití jiného nářadí nebo příslušenství než je doporučeno v návodu k obsluze nebo v katalogu pro vás může znamenat nebezpečí zranění.
  17. Hluk
    - Při použití kompresoru používejte ochranu sluchu.
  18. Výměna přívodního vedení
    - Je-li poškozeno přívodní vedení, musí být nahrazeno výrobcem nebo odborným elektrikářem, aby se předešlo možným nebezpečím. Nebezpečí zásahů elektrickým proudem.
  19. Plnění pneumatik
    - Zkontrolujte tlak v pneumatikách bezprostředně po jejich naplnění vhodným manometrem, např. na čerpací stanici.

20. Pojízdné kompresory v provozu stavenišť
  - Dbejte na to, aby byly všechny hadice a armatury vhodné pro nejvyšší přípustný pracovní tlak kompresoru.
21. Místo instalace
  - Kompresor postavte pouze na rovnou plochu.
22. Doporučujeme, aby přívodní hadice byly při tlaku vyšším než 7 bar vybaveny bezpečnostním kabelem, např. ocelovým lanem.
23. Vyvarujte se silného zatížení systému vedení, přičemž používejte flexibilní hadicové přípojky, abyste zabránili jejich zlomení.
24. Zajistěte, aby byla zařízení na chlazení oleje udržována v čistotě a ochranná zařízení zůstávala v provozuschopném stavu.
25. Nebezpečí popálení o horký olej
  - Noste vhodné ochranné rukavice.
  - Nikdy nepracuje s kompresorem v blízkosti otevřených plamenů.
  - Dbejte na to, abyste olej nerozlili.
26. Při nízkých teplotách pod 0 °C je rozběh motoru zakázán.

### Doplňující bezpečnostní pokyny

#### Bezpečnostní pokyny k práci se stlačeným vzduchem a vyfukovacími pistolemi

- Čerpadlo kompresoru a vedení dosahují v provozu vysokých teplot. Doteky vedou k popáleninám.
- Kompresorem nasávaný vzduch je třeba udržovat bez příměsí, které mohou v čerpadle kompresoru způsobit požár nebo výbuch.
- Při uvolňování hadicové spojky přidržte rukou spojovací díl hadice. Zabráníte tak poranění způsobené vymrštěnou hadicí.
- Při práci s vyfukovací pistolí vždy noste ochranné brýle. Cizími tělesy a odfouknutými částicemi mohou být způsobena lehká zranění.
- Nefoukejte vyfukovací pistolí na osoby nebo oděv na těle. Nebezpečí zranění!

#### Bezpečnostní pokyny při nástřiku barvou

- Nepracujte s laky nebo rozpouštědly o bodu vznícení nižší než 55 ° C. Nebezpečí výbuchu!
- Laky a rozpouštědla nezhřívajte. Nebezpečí výbuchu!
- Pokud se zpracovávají zdraví škodlivé kapaliny, jsou zapotřebí ochranné filtrační přístroje (obličejové masky). Respektujte také údaje výrobců takových látek ohledně ochranných opatření.
- Řiďte se údaji a označeními nařízení o nebezpečných látkách uvedenými na obalech zpracovávaných materiálů. Případně je třeba učinit doplňková ochranná opatření, především používat vhodný oděv a masky.
- Během stříkacího procesu a v pracovním prostoru je zakázáno kouřit. Nebezpečí výbuchu! I výpary barev jsou lehce vznětlivé.
- V prostoru se nesmí vyskytovat žádné topeniště, otevřené světlo nebo stroje generující jiskry, resp. se nesmí provozovat.
- V pracovním prostoru neukládejte ani nekonzumujte jídla ani nápoje. Výpary barev jsou zdraví škodlivé.
- Pracovní prostor musí být větší než 30 m<sup>3</sup> a musí mít zajištěnou dostatečnou výměnu vzduchu při nástřiku a schnutí.

- Nestříkejte proti větru. Při nástřiku hořlavých, resp. nebezpečných nástřikových materiálů zásadně dodržujte nařízení místního policejního úřadu.
- Ve spojení s tlakovou hadicí z PVC nepracujte s médii jako lakový benzín, butylalkohol a metylenchlorid. Tato média ničí tlakovou hadici.
- Při použití ve spojení se stříkacím příslušenstvím (např. lakovací stříkací pistolí): Udržujte při plnění stříkacích zařízení odstup od přístroje a nestříkejte ve směru kompresoru.

#### Provoz tlakových nádob

- Každý, kdo provozuje tlakovou nádobu, ji musí udržovat v řádném stavu, řádně ji provozovat, sledovat, neprodleně provádět nutné údržbářské a opravárenské práce a podle okolností přijmout nezbytná bezpečnostní opatření.
- Orgán dozoru může v jednotlivých případech nařídit nezbytná dozorová opatření.
- Tlaková nádoba, která vykazuje závady, které by ohrožovaly zaměstnance nebo třetí osoby, nesmí být provozována.
- Před každým uvedením do provozu tlakovou nádobu zkontrolujte, zda se na ní nevyskytuje koroze a poškození. Kompresor nesmí být provozován s poškozenou nebo zkorodovanou tlakovou nádobou. Pokud zjistíte poškození, obraťte se prosím na dílnu zákaznického servisu.

#### Bezpečnostní pokyny dobře uchovejte.

#### Zbýlé riziko

Dodržujte pokyny k údržbě a bezpečnostní pokyny uvedené v návodu k použití.

Při práci buďte vždy pozorní a třetí osoby udržujte v bezpečné vzdálenosti od svého pracoviště.

I při správném použití přístroje existuje určité zbylé riziko, které nelze vyloučit. Z typu a konstrukce přístroje mohou vyplývat následující potenciální nebezpečí:

- Neúmyslné uvedení přístroje do provozu.
- Poškození sluchu, pokud není používána předepsaná ochrana sluchu.
- Částice nečistot, prach atd. se mohou i při používání ochranných brýlí dostat do očí nebo obličeje.
- Vdechnutí rozvířených částic.

#### Varování!

Tento elektrický nástroj vytváří během provozu elektromagnetické pole. Toto pole může za určitých podmínek ovlivňovat aktivní nebo pasivní zdravotní implantáty. Pro snížení rizika vážných nebo smrtelných úrazů doporučujeme osobám se zdravotními implantáty, aby se před obsluhou tohoto elektrického nástroje obrátily na svého lékaře nebo na výrobce zdravotního implantátu.



## 7. Technické údaje

Síťová přípojka .....	230 V~ 50 Hz
Výkon motoru.....	1800 W
Druh provozního režimu.....	S1
Otáčky kompresoru.....	2850 min <sup>-1</sup>
Objem tlakové nádoby .....	cca 24 l
Maximální provozní tlak .....	cca 10 bar
Teoretický sací výkon .....	cca 260 l/min
Hladina akustického tlaku L <sub>PA</sub> .....	72,9 dB(A)
Hladina akustického výkonu L <sub>WA</sub> .....	92,9 dB(A)
Kolisavost K <sub>PA/WA</sub> .....	2,59 dB
Stupeň krytí.....	IP32
Hmotnost přístroje .....	cca 26,8 kg
Olaj (SAE 15W 40).....	cca 0,25 l
Maximální instalační výška (m n.m.).....	1000 m

Hodnoty hlukových emisí byly stanoveny podle EN ISO 3744:1995.

### Používejte ochranu sluchu.

Působení hluku může vést ke ztrátě sluchu.

## 8. Před uvedením do provozu

- Otevřete balení a opatrně vyjměte přístroj.
- Odstraňte balicí materiál a obalové a přepravní pojistky (pokud je jimi výrobek opatřen).
- Zkontrolujte, zda je rozsah dodávky úplný.
- Zkontrolujte přístroj a díly příslušenství, zda se při přepravě nepoškodily.
- Uchovejte obal dle možností až do uplynutí záruční doby.

### RIZIKO

**Zařízení a obalové materiály nejsou hračka! S plastovými sáčky, fóliemi a drobným díly si nesmějí hrát děti! Hrozí nebezpečí spolknutí těchto věcí a udušení!**

Před připojením se přesvědčte, že jsou údaje na typovém štítku shodné s údaji sítě.

- Před prvním uvedením do provozu sejměte přepravní víko (20a) a naplňte těleso kompresorového čerpadla olejem, jak je popsáno v bodě 9.4.
- Zkontrolujte, zda se přístroj při přepravě nepoškodil. Případné škody ihned nahláste přepravní společnosti, která vám kompresor dodala.
- Kompresor musí být nainstalován v blízkosti spotřebiče.
- Je třeba zabránit dlouhým vzduchovým a přívodním vedením (prodlužovacím kabelům).
- Dbejte na to, aby byl nasávaný vzduch suchý a bezprašný.
- Kompresor neinstalujte ve vlhkých nebo mokřích prostorech.
- Kompresor se smí provozovat pouze ve vhodných prostorech (dobře větraných, s teplotou prostředí +5 °C až 40 °C). V prostoru nesmí být prach, kyseliny, výpary a výbušné nebo hořlavé plyny.
- Kompresor je vhodný k použití v suchých prostorech. V oblastech, v nichž se pracuje se stříkající vodou, není jeho použití přípustné.
- Před uvedením do provozu se musí zkontrolovat množství oleje v tělese kompresorového čerpadla.

## 9. Montáž a obsluha

### ⚠ Pozor!

**Před uvedením do provozu přístroj bezpodmínečně kompletně smontujte!**

K montáži potřebujete:

- 1 x vidlicový klíč 13 mm
- 1 x šroubovák s křížovou hlavou (není v rozsahu dodávky)

### 9.1 Montáž kol (obr. 4)

- Namontujte přiložená kola (11) způsobem, znázorněným na obrázku.

### 9.2 Montáž podpěrných noh (obr. 5)

- Namontujte přiložené podpěrné nohy (9), jak je znázorněno.

### 9.3 Montáž vzduchového filtru (obr. 6, 7)

- Odstraňte přepravní kryt (15a) a přišroubujte vzduchový filtr (15) k přístroji.

### 9.4 Naplnění oleje (obr. 8, 9)

- Sejměte přepravní víko (20a) plnicího otvoru oleje (20).
- Naplňte dodaný kompresorový olej do tělesa kompresorového čerpadla a nasad'te přiloženou olejovou zátku (16) do plnicího otvoru oleje (20).

### 9.5 Síťová přípojka

- Kompresor je vybaven síťovým vedením se zástrčkou s ochranným kontaktem. Ten lze zapojit do každé zásuvky s ochranným kontaktem 220 - 240 V~ 50 Hz, která je zajištěna pojistkou 16 A.
- Před uvedením do provozu dbejte na to, aby síťové napětí souhlasilo s provozním napětím a s výkonem stroje na typovém štítku.
- Dlouhá přívodní vedení a také prodlužovačky, kabelové bubny atd., způsobují pokles napětí a mohou bránit rozběhu motoru.
- Při nízkých teplotách pod +5 °C je rozběh motoru ohrožený těžkým chodem.

### 9.6 Za-/vypínač (obr. 2)

- K zapnutí kompresoru se za-/vypínač (17) vytáhne nahoru. K vypnutí se za-/vypínač (17) zamáčkne dolů.

### 9.7 Nastavení tlaku (obr. 1, 3)

- Regulátorem tlaku (5) se nastaví tlak na manometru (4).
- Nastavený tlak lze zjistit na rychlospojce (3).
- Na manometru (6) odečtete tlak kotle.
- Tlak kotle se zjistí na rychlospojce (7).

### 9.8 Nastavení tlakového spínače (obr. 1)

- Tlakový spínač (2) je nastaven v výrobě.  
Spínací tlak cca 8 bar  
Vypínací tlak cca 10 bar

### 9.9 Montáž pneumatické hadice (obr. 1, 3)

- Připojte nástrčnou spojku (14a) pneumatické hadice (14) k jedné z rychlospojek (3, 7).

- Připojte poté pneumatický nástroj k rychlospojce (14b) pneumatické hadice (14).

### 9.10 Tepelný ochranný vypínač

Tepelný ochranný vypínač je zabudovaný v přístroji. Vypne-li se tepelný ochranný vypínač, postupujte následujícím způsobem:

- Vytáhněte sířovou zástrčku.
- Vyčkejte cca dvě až tři minuty.
- Zapojte znovu přístroj.
- Pokud se přístroj nespustí, opakujte postup.
- Pokud se přístroj opět nespustí, vypněte přístroj za-/vypínačem (17).
- Pokud jste provedli všechny výše uvedené kroky a přístroj přesto nefunguje, kontaktujte náš servis.

## 10. Elektrické připojení

**Instalovaný elektromotor je připojen v provozuschopném stavu. Připojka musí odpovídat příslušným předpisům VDE a DIN. Těmto předpisům musí odpovídat sířová připojka zákazníka i použité prodlužovací kabely.**

### 10.1 Důležitá upozornění

Při přetížení se motor sám vypne. Po určité době na vychladnutí (čas se liší) je možné motor znovu zapnout.

### 10.2 Poškozené elektrické přípojné vedení

U elektrických přívodních kabelů často dochází k poškození izolace.

Jeho příčinami mohou být:

- Smáčknutá místa, je-li přívodní kabel veden oknem nebo šterbinou ve dveřích.
- Prohnutí kvůli nevhodnému upevnění nebo vedení přívodního kabelu.
- Zlomení kvůli přejíždění přes přívodní kabel.
- Poškození izolace kvůli vytržení z elektrické zásuvky ve stěně.
- Praskliny v důsledku stárnutí izolace.

Takto vadná přípojná vedení nesmí být používána a kvůli poškození izolace jsou životu nebezpečná.

Pravidelně kontrolujte, zda elektrické přívodní kabely nejsou poškozeny. Dávejte pozor, aby nebyl přívodní kabel při kontrole připojen do elektrické sítě.

Elektrické přívodní kabely musí odpovídat příslušným předpisům VDE a DIN. Používejte pouze přípojná vedení se stejným označením.

Uvedení typového označení na přívodním kabelu je povinné.

### 10.3 Motor na střídavý proud

- Sířové napětí musí být 220 - 240 V~ 50 Hz.
- Prodlužovací kabely do délky 25 m mít průměr 1,5 milimetru čtverečního.

Připojení a opravy elektrického vybavení mohou provádět pouze odborní elektrikáři.

Při zpětných dotazech uvádějte prosím tyto údaje:

- Typ proudu napájecího motor
- Údaje z typového štítku stroje
- Údaje z typového štítku motoru

## 11. Čištění, údržba a skladování

### ⚠ Pozor!

Před prováděním veškerého čištění a údržby vytáhněte sířovou zástrčku! Nebezpečí poranění proudem!

### ⚠ Pozor!

Vyčkejte na úplné ochlazení přístroje! Nebezpečí popálení!

### ⚠ Pozor!

Před veškerým čištěním a údržbou je třeba přístroj odtlakovat! Nebezpečí zranění!

### 11.1 Čištění

- Zařízení maximálně chraňte před prachem a znečištěním. Otřete přístroj čistým hadrem nebo jej ofoukněte stlačeným vzduchem s nízkým tlakem.
- Doporučujeme přístroj vyčistit ihned po každém použití.
- Čistěte přístroj pravidelně vlhkým hadrem a trochou tekutého mýdla. Nepoužívejte žádné agresivní čisticí prostředky nebo rozpouštědla; neboť by mohly poškodit plastové díly přístroje. Dbejte na to, aby se dovnitř přístroje nemohla dostat žádná voda.
- Hadice a vřřikovací nástroje musí být před čištěním odpojeny od kompresoru. Kompresor nesmí být čištěn vodou, rozpouštědly nebo podobně.

### 11.2 Údržba tlakové nádoby (obr. 1)

#### ⚠ Pozor!

Pro stálou trvanlivost tlakové nádoby (8) je nutné po každém ukončení provozu vypustit otevřením výpustného šroubu (10) kondenzační vodu.

Vypusťte nejdříve tlak kotle (viz 11.8.1). Výpustný šroub (10) se ořívá otáčením proti směru hodinových ručiček (směr pohledu od dolní strany kompresoru na šroub), aby mohla kondenzační voda z tlakové nádoby (8) úplně vytéct.

Zavřete poté opět výpustný šroub (10) (otáčejte ve směru hodinových ručiček). Před každým uvedením do provozu tlakovou nádobu (8) zkontrolujte, zda se na ní nevyskytuje koroze a poškození.

Kompresor nesmí být provozován s poškozenou nebo zkorodovanou tlakovou nádobou (8). Pokud zjistíte poškození, obraťte se prosím na dílnu zákaznického servisu.

#### ⚠ Pozor!

Kondenzovaná voda z tlakové nádoby (8) obsahuje zbytky oleje. Kondenzovanou vodu ekologicky zlikvidujte na příslušném sběrném místě.

### 11.3 Pojistný ventil (obr. 3)

Pojistný ventil (19) je nastaven na maximální přípustný tlak tlakové nádoby (8). Není přípustné pojistný ventil (19) seřizovat nebo odstranit spojovací pojistku (19b) mezi vypouštěcí maticí (19a) a její krytkou (19c). Aby pojistný ventil (19) v případě potřeby správně fungoval, musí se aktivovat každých 30 provozních hodin, minimálně však třikrát ročně. Pro otevření otáčejte perforovanou vypouštěcí maticí (19a) proti směru hodinových ručiček a poté vytáhněte tyčku ventilu přes perforovanou vypouštěcí maticí (19a) směrem ven, abyste otevřeli výpust pojistného ventilu (19). Ventil nyní slyšitelně vypouští vzduch. Následně vypouštěcí maticí (19a) zase utáhněte otáčením po směru hodinových ručiček.

### 11.4 Pravidelně kontrolujte množství oleje (obr. 10)

Postavte kompresor na rovnou hladkou plochu.

Množství oleje se musí nacházet mezi MAX a MIN na olejovzorku (18).

Výměna oleje: Doporučený olej: SAE 15W 40 nebo ekvivalentní. První náplň musí být vyměněna po 100 provozních hodinách; poté je třeba po každých 500 provozních hodinách olej vypustit a doplnit nový.

### 11.5 Výměna oleje (obr. 1, 9, 10)

Vypněte motor a odpojte sířovou zástrčku ze zásuvky. Odstraňte olejovou zátku (16). Po případném vypuštění stávajícího tlaku vzduchu můžete výpustný šroub oleje (12) z čerpadla kompresoru (13) vyšroubovat.

Aby olej nevytéká nekontrolovaně, držte pod výpustí malý plechový žlábek a zachyčujte olej do nádoby. Pokud olej nevyteče úplně, doporučujeme kompresor mírně naklonit. Když olej vytekl, výpustný šroub oleje (12) opět nasadte.

### Použitý olej zlikvidujte odevzdáním na příslušné sběrné místo.

Pro doplnění správného množství oleje dbejte na to, aby kompresor stál na rovné ploše. Naplňte nový olej plnicím otvorem oleje (20), až množství oleje dosáhne hranice maximálního množství náplně. Ta je vyznačena červeným bodem na olejovzorku (18) (obrázek 10).

Nepřekračujte maximální množství náplně. Přeplnění může způsobit poškození přístroje. Vsaďte opět olejovou zátku (16) do plnicího otvoru oleje (20).

### 11.6 Čištění vzduchového filtru (obr. 3, 11, 12)

Vzduchový filtr (15) zamezuje nasátí prachu a nečistot. Je nutné čistit tento vzduchový filtr (15) minimálně po každých 300 provozních hodinách. Zanesený vzduchový filtr značně snižuje výkon kompresoru.

Odstraňte vzduchový filtr (15) tím, že otevřete křídlový šroub (15b). Stáhněte poté víko filtru (15e). Nyní můžete vyjmout filtrační vložku (15c) a filtrační skříň (15d). Vyklepejte opatrně filtrační vložku (15c), víko filtru (15e) a filtrační skříň (15d). Tyto díly se poté musí vyfouknout stlačeným vzduchem (cca 3 bar) a opět namontovat v opačném pořadí.

### 11.7 Servisní informace

Je nutno dbát na to, že v případě tohoto výrobku následující díly podléhají opotřebení, které je dáno používáním nebo se tak děje přirozeně, příp. že na následující díly je pohlíženo jako na spotřební materiál.

Opotřebitelné díly\*: Vzduchový filtr

\* není nutně zahrnuto v obsahu dodávky!

### 11.8 Skladování

#### ⚠ Pozor!

**Vytáhněte sířovou zástrčku, odvědušněte přístroj a všechny připojené pneumatické nástroje. Umístěte kompresor tak, aby nemohl být uveden do provozu neoprávněnými osobami.**

#### ⚠ Pozor!

**Kompresor skladujte pouze v suchém prostředí chráněném před přístupem nepovolaných osob. Nepřevracejte, skladujte pouze nastojato! Olej může vytéct!**

#### 11.8.1 Vypuštění přetlaku

Přetlak z kompresoru vypustíte tím, že jej vypnete a spotřebujete stlačený vzduch, který ještě zbývá v tlakové nádobě (8), například pneumatickým nástrojem ve volnoběhu nebo vyfukovací pistolí.

## 12. Převaha

Použijte přepravní úchyt (1) pro přepravu kompresoru.

Při zvedání kompresoru vezměte v úvahu jeho hmotnost (viz Technická data).

Při přepravě kompresoru vozidlem se postarejte o dobré zajištění nákladu.

## 13. Likvidace a recyklace

Přístroj je v obalu, aby se zabránilo škodám způsobeným přepravou. Tento obal je surovina a lze ho tudíž recyklovat nebo vrátit do oběhu surovin.

Přístroj a jeho příslušenství se skládají z různých materiálů, jako např. kovu a plastů. Vadné konstrukční součásti zlikvidujte jako speciální odpad. Zeptejte se ve specializovaném obchodě nebo na správě obce!



**Obal se skládá z ekologických materiálů, které lze recyklovat v místních sběrných místech.**

**O možnostech likvidace vysloužilého přístroje vám podá informace správa vaší obce nebo vašeho města.**

## Odpadní zařízení nesmějí být likvidována spolu s domácím odpadem!



Tento symbol upozorňuje, že tento výrobek nesmí být podle směrnice o odpadních elektrických a elektronických zařízeních (2012/19/EU) a vnitrostátních zákonů likvidován spolu s domácím odpadem. Tento výrobek musí být odevzdán na sběrné místě určeném k tomuto účelu. To lze provést například vrácením při nákupu podobného výrobku nebo odevzdáním v autorizovaném sběrném místě pro recyklaci starých elektrických a elektronických zařízení. Nesprávné zacházení s odpadními zařízeními může mít vzhledem k potenciálně nebezpečným látkám, které jsou v odpadních elektrických a elektronických zařízeních často obsaženy, negativní dopad na životní prostředí a lidské zdraví. Správnou likvidací tohoto výrobku přispíváte také k efektivnímu využívání přírodních zdrojů. Informace o sběrných střediscích pro odpadní zařízení můžete získat u svého magistrátu, veřejnoprávní instituce pro nakládání s odpady, autorizovaného orgánu pro likvidaci odpadních elektrických a elektronických zařízení nebo služby svozu odpadu.

## 14. Odstraňování poruch

Porucha	Možná příčina	Řešení
Kompresor neběží.	Není k dispozici síťové napětí.	Zkontrolujte kabel, síťovou zástrčku, pojistku a zásuvku.
	Síťové napětí příliš nízké.	Zabraňte příliš dlouhému prodlužovacímu kabelu. Použijte prodlužovací kabel s dostatečným průřezem vodičů.
	Venkovní teplota příliš nízká.	Neprovozujte při venkovní teplotě nižší než +5 °C.
	Motor se přehřívá.	Nechte motor vychladnout, popř. odstraňte příčinu přehřátí.
Kompresor běží, ale tlak není k dispozici.	Pojistný ventil (19) netěsní.	Kontaktujte své místní servisní centrum. Opravy svěžte pouze vyškolenému personálu.
	Zničená těsnění.	Zkontrolujte těsnění, ta poničená nechte vyměnit ve specializované dílně.
	Výpustný šroub pro kondenzační vodu (10) netěsní.	Šroub dotáhněte rukou. Zkontrolujte těsnění na šroubu, popř. vyměňte.
Kompresor běží, tlak se zobrazuje na manometru, ale nástroje nefungují.	Hadicové spoje netěsní.	Zkontrolujte pneumatickou hadici a nástroje, popř. vyměňte.
	Rychlospojka netěsní.	Kontaktujte své místní servisní centrum. Opravy svěžte pouze vyškolenému personálu.
	Na tlakovém regulátoru (5) je nastaven příliš nízký tlak.	Otočte tlakový regulátor dále.

## 15. Záruční list

### Vážena zakaznice, vážený zakazníku,

naše výrobky podléhají přísné kontrole kvality. Pokud i přesto tento přístroj bezvadně nefunguje, velice toho litujeme a prosíme Vás, abyste se obrátili na náš zákaznický servis, jehož adresa je uvedena na tomto záručním listu. Rádi Vám budeme k dispozici také telefonicky na níže uvedeném servisním čísle. Pro uplatňování nároků na záruku platí následující:

- Tyto záruční podmínky upravují dodatečný záruční servis. Vašich zákonných nároků na záruku se tato záruka netýká. Náš záruční servis je pro Vás bezplatný.
- Záruční servis se vztahuje výhradně na nedostatky, které lze odvodit z vad materiálu nebo výrobních vad a je také omezen pouze na odstranění těchto nedostatků, resp. výměnu přístroje. Dbejte prosím na to, že naše přístroje nebyly podle svého účelu určeny konstruovány pro živnostenské, řemeslnické nebo průmyslové použití. Záruční smlouva tak není realizována, pokud byl přístroj používán v živnostenských, řemeslných nebo průmyslových podnicích a při srovnatelných činnostech. Z naší záruky je dále vyloučeno poskytnutí náhrady za dopravní škody, škody způsobené nedodržováním montážního návodu nebo z důvodů neodborné instalace, nedodržování návodu k použití (jako např. připojení na chybné síťové napětí nebo druh proudu), nedovoleného nebo neodborného používání (jako např. přetížení přístroje nebo použití neschválených vložných nástrojů nebo příslušenství), nedodržování pokynů pro údržbu a bezpečnostních pokynů, vniknutí cizích těles do přístroje (jako např. písek, kameny nebo prach), použití násilí nebo poškození v důsledku cizích vlivů (jako např. škody způsobené pádem), jakož také běžného opotřebení způsobeného používáním.

Nárok na záruku zaniká, pokud bylo do přístroje již zasahováno

- Záruční doba činí 3 roky a začíná datem koupě přístroje. Nároky na záruku před vypršením záruční doby je třeba uplatňovat během dvou týdnů od zjištění defektu. Uplatňování nároků na záruku po vypršení záruční doby je vyloučeno. Oprava nebo výměna přístroje nevede k prodloužení záruční doby, ani k zahájení nové záruční doby za provedený výkon pro přístroj nebo pro případné zamontované náhradní díly. Toto platí také v případě servisu v místě Vašeho bydliště.
- Pro uplatnění nároku ze záruky se prosím obraťte na adresu servisu uvedenou dole. Pokud se reklamáce uplatňuje v záruční době, dáme Vám k dispozici formulář pro vrácení, pomocí kterého nám můžete vadný přístroj zdarma zaslat zpět. Popište nám prosím pokud možno přesně důvod reklamáce. Je-li defekt přístroje v našem záručním servisu obsažen, obdržíte obratem opravený nebo nový přístroj.

Samozřejmě rádi za úhradu nákladů odstraníme defekty na přístroji, které nespadají nebo již nespadají do rozsahu záruky. K tomu nám přístroj prosím zašlete na naši servisní adresu.

### Servisní horká linka (CZ):

+800 4003 4003

(0,00 €/Min.)

### Adresa elektronické pošty (CZ):

service.CZ@schepach.com

### Adresa servisního střediska (CZ):

GARLAND distributor s.r.o.

Hradecká 1136

CZ - 50601 Jicín



Na stránkách [www.lidl-service.com](http://www.lidl-service.com) si můžete stáhnout tyto a mnoho dalších manuálů, produktových videí a instalačních softwarů.

Pomocí kódu QR můžete přímo na stránce servisních služeb Lidl ([www.lidl-service.com](http://www.lidl-service.com)) otevřít svůj návod k obsluze zadáním čísla výrobku (IAN) 360588\_2010.

1.	Vysvetlenie symbolov na prístroji.....	43
2.	Úvod .....	44
3.	Popis prístroja (obr. 1 - 12).....	44
4.	Rozsah dodávky.....	44
5.	Použitie v súlade s určením.....	44
6.	Bezpečnostné upozornenia.....	45
7.	Technické údaje.....	47
8.	Pred uvedením do prevádzky.....	47
9.	Zloženie a obsluha.....	47
10.	Elektrická prípojka.....	48
11.	Čistenie, údržba a skladovanie.....	48
12.	Preprava.....	49
13.	Likvidácia a opätovné zhodnotenie.....	49
14.	Odstraňovanie porúch.....	50
15.	Záručný list .....	51
16.	Vyhlásenie o zhode .....	63

## 1. Vysvetlenie symbolov na prístroji



SK

Pred uvedením do prevádzky si prečítajte návod na obsluhu a bezpečnostné upozornenia a dodržiavajte ich!



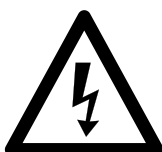
SK

Noste ochranu sluchu. Vplyv hluku môže spôsobiť stratu sluchu.



SK

Varovanie pred horúcimi dielmi! (A obr. 11)



SK

Varovanie pred elektrickým napätím



SK

Varovanie! Jednotka sa spúšťa automaticky a nesmie sa spustiť bez varovania.



SK

Pozor! Pred prvým uvedením do prevádzky skontrolujte hladinu oleja a vymeňte uzavieraciu zátku oleja!



SK

Dodržiavajte výstražné a bezpečnostné upozornenia!



SK

Údaj o hladine akustického výkonu v dB



SK

Nevystavujte prístroj dažďu!

## 2. Úvod

### Výrobca:

scheppach  
Fabrikation von Holzbearbeitungsmaschinen GmbH  
Günzburger Straße 69  
D-89335 Ichenhausen

### Vážení zákazníci,

želáme Vám veľa zábavy a úspechov pri práci s Vaším novým prístrojom.

### Upozornenie:

Výrobca tohto prístroja neručí podľa platného zákona o ručení za výrobok za škody, ktoré vzniknú na tomto prístroji alebo budú spôsobené týmto prístrojom pri:

- neodbornej manipulácii,
- Nedodržiavanie návodu na obsluhu
- opravách tretími osobami, neautorizovanými odborníkmi,
- montáži a výmene neoriginálnych náhradných dielov,
- použití v rozpore s určením,
- Výpadky elektrického zariadenia pri nedodržiavaní elektrických predpisov a ustanovení VDE 0100, DIN 57113 / VDE 0113.

### Dodržiavajte:

Pred montážou a uvedením do prevádzky si prečítajte celý text návodu na obsluhu.

Tento návod na obsluhu vám má uľahčiť, aby ste sa oboznámili s elektrickým náradím a používali ho v súlade s určenými možnosťami použitia.

Návod na obsluhu obsahuje dôležité pokyny, ako s elektrickým náradím bezpečne, odborne a hospodárne pracovať a ako zabrániť nebezpečenstvám, ušetríte náklady na opravy, znížite časy prestojov a zvýšite spoľahlivosť a životnosť elektrického náradia.

Okrem bezpečnostných ustanovení tohto návodu na obsluhu musíte bezpodmienečne dodržiavať predpisy svojej krajiny platné pre prevádzku elektrického náradia.

Návod na obsluhu uschovajte pri elektrickom náradí a v plastovom obale, aby bol chránený pred špinou a vlhkosťou. Všetci obsluhujúci pracovníci si ho musia pred začiatkom práce prečítať a starostlivo ho dodržiavať. Na elektrickom náradí môžu pracovať len osoby, ktoré boli poučené o používaní elektrického náradia a boli informované o nebezpečenstvách, ktoré sú s tým spojené. Treba dodržiavať požadovaný minimálny vek.

Okrem bezpečnostných upozornení obsiahnutých v tomto návode na obsluhu a osobitných predpisov vašej krajiny treba rešpektovať všeobecne uznávané technické pravidlá pre prevádzku konštrukčne rovnakých strojov.

Nepreberáme zodpovednosť za žiadne nehody ani škody, ku ktorým dôjde v dôsledku nedodržania tohto návodu a bezpečnostných upozornení.

## 3. Popis prístroja (obr. 1 – 12)

1. Prepravná rukoväť
2. Tlakový spínač
3. Rýchlospojka (regulovaný stlačený vzduch)
4. Manometer (možnosť odčítania nastaveného tlaku)
5. Regulátor tlaku
6. Manometer (možnosť odčítania tlaku v kotle)
7. Rýchlospojka (neregulovaný stlačený vzduch)
8. Tlaková nádoba
9. Oporná noha
- 9a. Podložka
- 9b. Skrutka
10. Výpustná skrutka pre kondenzovanú vodu
11. Koleso
- 11a. Podložka
- 11b. Skrutka so šošovkovitou hlavou
12. Vypúšťacia skrutka oleja
13. Kompresorové čerpadlo
14. Pneumatická hadica
- 14a. Zástrčná vsuvka
- 14b. Rýchlospojka
15. Vzduchový filter
- 15a. Prepravný kryt
- 15b. Krídlová skrutka
- 15c. Filtračná vložka
- 15d. Teleso filtra
- 15e. Kryt filtra
16. Uzavieracia zátko oleja
17. Vypínač zap/vyp
18. Priezor oleja
19. Poistný ventil
- 19a. Vypúšťacia matica
- 19b. Poistka spojenia
- 19c. Uzáver vypúšťacej matice
20. Otvor na plnenie oleja
- 20a. Prepravný kryt

## 4. Rozsah dodávky

- 1x vzduchový filter
- 2x oporná noha
- 2x koleso
- 1x montážny materiál
- 1x uzavieracia zátko oleja
- 1x fľaša na olej
- 1x pneumatická hadica
- 1 x návod na obsluhu

## 5. Použitie v súlade s určením

Kompresor slúži na vytvorenie stlačeného vzduchu pre nástroje poháňané stlačeným vzduchom, ktoré je možno prevádzkovať s množstvom vzduchu po cca 180 l/min (napr. pištoľ na plnenie pneumatík, vyfukovacia pištoľ a pištoľ na striekanie laku). Z dôvodu obmedzeného množstva dopravovaného vzduchu nie je možné prevádzkovať nástroje, ktoré vykazujú veľmi vysokú spotrebu vzduchu (napr. vibračná brúska, tyčová brúska a nárazový uťahovač).



Stroj sa môže používať iba v súlade so svojím určením. Každé iné použitie presahujúce určenie je považované za používanie v rozpore s určením. Za škody z neho vzniknuté alebo poranenia akéhokoľvek druhu ručí používateľ/obsluha a nie výrobca.

Dbajte, prosím, na to, že naše prístroje neboli v súlade s určením skonštruované na komerčné, remeselné ani priemyselné použitie. Ak sa prístroj používa v komerčných, remeselných alebo priemyselných podnikoch, ako aj na podobné činnosti, nepreberáme žiadnu záruku.

## 6. Bezpečnostné upozornenia

### ⚠ **Pozor!**

Pri používaní elektrických prístrojov je nutné na ochranu pred zásahom elektrickým prúdom, pred nebezpečenstvom poranenia a nebezpečenstvom požiaru dodržiavať nasledujúce základné bezpečnostné upozornenia. Predtým ako použijete tento elektrický prístroj, prečítajte si všetky bezpečnostné upozornenia a dobre ich uschovajte.

### **Bezpečná práca**

1. Vaše pracovné okolie udržiavajte čisté.
  - Následkom neporiadku v pracovnej oblasti môžu byť nehody.
2. Zohľadnite vplyvy okolia.
  - Elektrické prístroje nevystavujte dažďu.
  - Elektrické prístroje nepoužívajte vo vlhkom ani mokrom prostredí. Nebezpečenstvo v dôsledku zásahu elektrickým prúdom!
  - Postarajte sa o dobré osvetlenie pracovnej oblasti.
  - Elektrické prístroje nepoužívajte na miestach, kde hrozí nebezpečenstvo vzniku požiaru alebo výbuchu.
3. Chráňte sa pred zásahom elektrickým prúdom.
  - Zabráňte kontaktu tela s uzemnenými dielmi (napr. rúrami, radiátormi, elektrickými sporákmi, chladiacimi zariadeniami).
4. Zabráňte prístupu deťom!
  - Nedovoľte iným osobám dotýkať sa nástroja a kábla, zabráňte im v prístupe do vašej pracovnej oblasti.
5. Nepoužívané elektrické prístroje bezpečne uschovajte
  - Nepoužívané elektrické prístroje sa musia skladovať na suchom, vysoko položenom alebo uzatvorenom priestore, mimo dosahu deťom.
6. Váš elektrický prístroj neprefažujte.
  - Pracujte lepšie a bezpečnejšie v uvedenom rozsahu výkonu.
7. Noste vhodný odev
  - Nenoste voľné oblečenie ani šperky, mohli by byť zachytené pohyblivými časťami.
  - Pri prácach vonku odporúčame nosiť gumené rukavice a protišmykovú obuv.
  - Pri dlhých vlasoch noste sieťku na vlasy.
8. Kábel používajte iba na taký účel, na aký je určený
  - Kábel nepoužívajte na vyťahovanie zástrčky zo zásuvky. Kábel chráňte pred horúčavou, olejom a ostrými hranami.
9. O vaše prístroje sa dôkladne starajte
  - Udržiavajte váš kompresor čistý, aby pracoval dobre a bezpečne.
  - Dodržiavajte predpisy týkajúce sa údržby.

- Pravidelne kontrolujte pripojovacie vedenie elektrického prístroja a pri poškodení ho nechajte vymeniť odborníkom.
  - Predlžovacie vedenia pravidelne kontrolujte a v prípade poškodenia ich vymeňte.
10. Zástrčku vytiahnite zo zásuvky.
    - Pri nepoužívaní elektrického prístroja, pred údržbou a pri výmene nástrojov, napr. pílového kotúča, vrtáka, frézy.
  11. Zabráňte neúmyselnému nábehu.
    - Uistite sa, že je spínač pri zasunutí zástrčky do zásuvky vypnutý.
  12. Pre vonkajšiu oblasť používajte predlžovací kábel.
    - Na voľnom priestranstve používajte iba povolené a príslušne označené predlžovacie káble.
    - Používajte káblový bubon iba v rozvinutom stave.
  13. Buďte neustále opatrní
    - Dávajte pozor na to, čo robíte. Pri práci sa riadte zdravým úsudkom. Elektrický prístroj nepoužívajte, ak sa neústredíte.
  14. Elektrický prístroj skontrolujte ohľadne prípadných poškodení
    - Pred ďalším používaním elektrického prístroja sa musia ochranné zariadenia alebo ľahko poškodené diely dôkladne prekontrolovať na ich bezchybnú funkciu v súlade s určením.
    - Skontrolujte, či pohyblivé diely fungujú bezchybne a nezasekávajú sa, alebo či nie sú poškodené diely. Všetky diely musia byť správne namontované a spĺňať všetky podmienky pre zaručenie bezchybnej prevádzky elektrického prístroja.
    - Poškodené ochranné zariadenia a diely sa musia v súlade s predpismi nechať opraviť alebo vymeniť v autorizovanej dielni, pokiaľ nie je v návode na obsluhu uvedené inak.
    - Poškodené spínače sa musia nechať vymeniť v dielni zákazníckeho servisu.
    - Nepoužívajte chybné ani poškodené prípojné vedenia.
    - Nepoužívajte žiadne elektrické prístroje, pri ktorých nie je možné spínač zapnúť a vypnúť.
  15. Elektrický prístroj nechajte opraviť vyučeným elektrikárom.
    - Tento elektrický prístroj zodpovedá príslušným bezpečnostným ustanoveniam. Opravy smie vykonávať iba elektrikár tak, že používa originálne náhradné diely, v opačnom prípade môže dôjsť k nehodám.
  16. Pozor!
    - V záujme vašej vlastnej bezpečnosti používajte iba príslušenstvo a prídavné zariadenia, ktoré sú uvedené v návode na obsluhu alebo sú odporúčané či uvedené výrobcom. Použitie iných vložených nástrojov alebo príslušenstva než tých, ktoré odporúča návod na obsluhu alebo katalóg, môže pre vás znamenať nebezpečenstvo fyzického zranenia.
  17. Hluk
    - Pri používaní kompresora noste ochranu sluchu.
  18. Výmena prípojného vedenia
    - Ak je prípojné vedenie poškodené, musí ho výrobca alebo kvalifikovaná osoba v oblasti elektriky vymeniť, aby sa zabránilo ohrozeniam. Nebezpečenstvo v dôsledku zásahov elektrickým prúdom.

19. Naplnenie pneumatík
  - Bezprostredne po naplnení skontrolujte tlak pneumatík vhodným manometrom, napr. na čerpacej stanici.
20. Po komunikáciách prepravovateľné kompresory v stave-  
niskovej prevádzke
  - Dbajte na to, aby všetky hadice a armatúry boli vhodné pre najvyšší prípustný prevádzkový tlak kompresora.
21. Inštalácia
  - Kompresor umiestnite iba na rovnú plochu.
22. Odporúča sa, aby sa privádzacie hadice pri tlakoch nad  
7 barov vybavili bezpečnostným káblom, napr. drôteným  
lanom.
23. Zabráňte silným zaťaženiám na systém vedení tým, že po-  
užijete flexibilné hadicové prípojky, aby ste zabránili zalo-  
meným miestam.
24. Zabezpečte, aby boli zariadenia na chladenie oleja udr-  
žiavané v čistote a ochranné zariadenia pripravené na  
prevádzku.
25. Nebezpečenstvo popálenia na horúcom oleji
  - Noste vhodné ochranné rukavice.
  - S kompresorom nikdy nepracujte v blízkosti otvorených  
plameňov.
  - Dávajte pozor, aby ste nerozliali žiadny olej.
26. Pri nízkych teplotách pod 0 °C je rozbeh motora zaká-  
zaný.

#### **Dodatočné bezpečnostné upozornenia**

#### **Bezpečnostné upozornenia pre prácu so stlače- ným vzduchom a vyfukovacími pištoľami**

- Kompresorové čerpadlo a vedenia dosahujú počas prevádzky vysoké teploty. Dotýkanie sa môže viesť k popáleninám.
- Vzduch nasávaný z kompresora je potrebné udržiavať bez prímies, ktoré by v kompresorovom čerpadle mohli viesť k požiarom alebo výbuchom.
- Pri uvoľňovaní hadicovej spojky držte spojku hadice pevne rukou. Tak zabránite poraneniam spôsobeným vymrštením hadice.
- Pri prácach s vyfukovacou pištoľou noste ochranné okuliare. Cudzie telesá a vyfúknuté diely môžu ľahko spôsobiť poranenia.
- Nefúkajte vyfukovacou pištoľou na osoby alebo na oblečenie na tele. Nebezpečenstvo poranenia!

#### **Bezpečnostné upozornenia pri striekaní farby**

- Nespracúvajte laky alebo rozpúšťadlá s bodom vzplanutia nižším ako 55 °C. Nebezpečenstvo výbuchu!
- Laky a rozpúšťadlá nezahrievajte. Nebezpečenstvo výbuchu!
- Ak sa spracovávajú zdraviu škodlivé kvapaliny, vyžadujú sa na ochranu filtračné prístroje (masky na tvár). Dodržiavajte tiež informácie o ochranných opatreniach poskytnutých výrobcami takýchto látok.
- Dbajte na údaje uvedené na obaloch spracúvaných materiálov a označenia nariadenia o nebezpečných látkach. V prípade potreby sa musia urobiť dodatočné ochranné opatrenia, predovšetkým sa musí nosiť vhodné oblečenie a masky.
- Počas procesu striekania, ako aj v pracovnom priestore sa nesmie fajčiť. Nebezpečenstvo výbuchu! Ľahko horľavé sú aj výpary z farieb.

- Ohniská, otvorený plameň alebo stroje tvoriace iskry nesmú byť prítomné, resp. prevádzkované.
- Jedlá a nápoje nechovávajte ani nekonzumujte v pracovnom priestore. Výpary z farieb sú zdraviu škodlivé.
- Pracovný priestor musí byť väčší ako 30 m<sup>3</sup> a pri striekaní a sušení musí byť zaistená dostatočná výmena vzduchu.
- Nikdy nestriekajte proti vetru. Pri postrekovaní horľavých, resp. nebezpečných postrekovacích materiálov rešpektujte ustanovenia miestneho policajného orgánu.
- Pomocou PVC tlakovzdušnej hadice nespracúvajte médiá, ako lakový benzín, butylalkohol a dichlórmetán. Tieto médiá poškodzujú tlakovzdušnú hadicu.
- Pri používaní spolu s príslušenstvom na striekanie (napr. pištoľ na striekanie farby): Pri plnení striekacieho prístroja dodržiavajte od prístroja dostatočnú vzdialenosť a nestriekajte v smere kompresora.

#### **Prevádzka tlakových nádob**

- Používateľ tlakovej nádoby musí udržiavať tlakovú nádobu v riadnom stave, správne ju používať, riadne kontrolovať, bezodkladne vykonávať potrebné údržbárske práce a opravy a podľa potreby prijať potrebné bezpečnostné opatrenia.
- Dozorný úrad môže v jednotlivých prípadoch nariadiť potrebné kontrolné opatrenia.
- Tlaková nádoba sa nesmie prevádzkovať, ak vykazuje nedostatky, ktoré môžu viesť k ohrozeniu zamestnancov alebo tretích osôb.
- Pred každou prevádzkou skontrolujte, či tlaková nádoba nejaví známky hrdze a poškodení. Kompresor sa nesmie prevádzkovať s poškodenou alebo zhrdzavenou tlakovou nádobou. V prípade zistenia poškodení sa obráťte na zákaznícky servis.

#### **Bezpečnostné upozornenia si dobre uschovajte.**

#### **Zvyškové riziko**

Dodržte určené údržbové a bezpečnostné upozornenia návodu na obsluhu.

Pri práci buďte vždy pozorní a tretie osoby udržiavajte v bezpečnej vzdialenosti od vášho pracoviska.

Určité zvyškové riziko, ktoré nie je možné vylúčiť, pretrváva vždy aj pri odbornom používaní prístroja. Z druhu a konštrukcie prístroja je možné odvodiť nasledujúce potenciálne ohrozenia:

- Neúmyselné uvedenie výrobku do prevádzky.
- Poškodenie sluchu, ak sa nenosí predpísaná ochrana sluchu.
- Častice nečistôt, prach atď. sa do vašich očí alebo tváre môžu dostať aj napriek noseniu ochranných okuliarov.
- Vdychovanie rozvírených častíc.

#### **Varovanie!**

Tento elektrický prístroj vytvára počas prevádzky elektromagnetické pole. Toto pole môže za určitých okolností ovplyvniť aktívne alebo pasívne implantáty. Na zníženie nebezpečenstva závažných alebo smrteľných poranení odporúčame osobám s implantátmi prekonzultovať situáciu so svojím lekárom a výrobcou implantátu ešte predtým, ako začnú obsluhovať elektrický prístroj.

## 7. Technické údaje

Sieťová prípojka .....	230 V~ 50 Hz
Výkon motora .....	1800 W
Prevádzkový režim .....	S1
Otáčky kompresora.....	2850 min <sup>-1</sup>
Objem tlakovej nádoby .....	cca 24 l
Maximálny prevádzkový tlak .....	cca 10 bar
Teoretický sací výkon .....	cca 260 l/min
Hladina akustického tlaku L <sub>PA</sub> .....	72,9 dB (A)
Hladina akustického výkonu L <sub>WA</sub> .....	92,9 dB (A)
Neistota K <sub>PA/WA</sub> .....	2,59 dB
Druh krytia .....	IP32
Hmotnosť prístroja.....	cca 26,8 kg
Olaj (SAE 15W 40).....	cca 0,25 l
Maximálna výška inštalácie (m.n.m.).....	1000 m

Hodnoty emisie hluku zariadenia boli určené podľa EN ISO 3744:1995.

### Noste ochranu sluchu.

Vplyv hluku môže spôsobiť stratu sluchu.

## 8. Pred uvedením do prevádzky

- Otvorte obal a opatrne vyberte prístroj.
- Odstráňte baliaci materiál, ako aj obalové a prepravné poistky (ak sú použité).
- Skontrolujte, či je rozsah dodávky kompletný.
- Prístroj a diely príslušenstva skontrolujte ohľadom poškodení spôsobených prepravou.
- Obal podľa možnosti uschovajte až do uplynutia záručnej doby.

### NEBEZPEČENSTVO

**Prístroj a obalové materiály nie sú hračkami pre deti! Deti sa nesmú hrať s plastovými vreckami, fóliami a malými dielmi! Existuje nebezpečenstvo prehltnutia a zadusenia!**

Pred pripojením sa presvedčte, či sa údaje na typovom štítku zhodujú s parametrami elektrickej siete.

- Pred prvým uvedením do prevádzky odmontujte prepravné veko (20a) a naplňte skriňu kompresorového čerpadla olejom tak, ako je popísané v bode 9.4.
- Prístroj skontrolujte ohľadom poškodení spôsobených prepravou. Okamžite oznámte akékoľvek škody dopravnej spoločnosti, ktorá dodala kompresor.
- Kompresor musí byť nainštalovaný v blízkosti spotrebiteľa.
- Nepoužívajte dlhé vzduchové vedenia a dlhé privody (predĺžovacie káble).
- Dbajte aj na suchý nasávací vzduch bez prachu.
- Neinštalujte kompresor vo vlhkých a mokrých priestoroch.
- Kompresor je možné prevádzkovať len vo vhodných priestoroch (dobře vetraných, okolitá teplota +5 °C až 40 °C). V priestore sa nesmú vyskytovať prachy, kyseliny, výpary, výbušné a horľavé plyny.
- Kompresor je vhodný na použitie v suchých priestoroch. Použitie nie je povolené v oblastiach, kde sa pracuje s rozprašovanou vodou.

- Pred uvedením do prevádzky sa musí skontrolovať hladina oleja v telese kompresorového čerpadla.

## 9. Zloženie a obsluha

### ⚠ Pozor!

**Prístroj pred uvedením do prevádzky bezpodmienečne kompletne zmontujte!**

Na montáž potrebujete:

1x vidlicový kľúč 13 mm

1x krížový skrutkovač

(nie je v rozsahu dodávky)

### 9.1 Montáž kolies (obr. 4)

- Namontujte priložené kolesá (11) tak, ako je na obrázku.

### 9.2 Montáž oporných nôh (obr. 5)

- Namontujte priložené oporné nohy (9) tak, ako je na obrázku.

### 9.3 Montáž vzduchového filtra (obr. 6, 7)

- Odstráňte prepravný kryt (15a) a pripevnite vzduchový filter (15) na prístroj.

### 9.4 Plnenie olejom (obr. 8, 9)

- Odstráňte prepravné veko (20a) na otvore na plnenie oleja (20).
- Naplňte skriňu kompresorového čerpadla dodaným kompresorovým olejom a nasadte priloženú uzavieraciu zátku oleja (16) do otvoru na plnenie oleja (20).

### 9.5 Sieťová prípojka

- Kompresor je vybavený sieťovým vedením s ochrannou vidlicou. Tento je možné pripojiť na každú zásuvku s ochranným kontaktom 220 - 240 V~ 50 Hz, ktorá je poistená 16 A poistkou.
- Pred uvedením do prevádzky dbajte na to, aby sa sieťové napätie zhodovalo s prevádzkovým napätím a výkonom stroja na typovom štítku.
- Dlhé privody, ako aj predĺženia, káblové bubny atď. spôsobujú pokles napätia a môžu zabrániť rozbehu motora.
- Pri nízkych teplotách pod +5 °C je rozbeh motora ohrozený ťažkým chodom.

### 9.6 Zapínač/vypínač (obr. 2)

- Pre zapnutie kompresora sa zapínač/vypínač (17) potiahne nahor. Na vypnutie sa zapínač/vypínač (17) zatlačí nadol.

### 9.7 Nastavenie tlaku (obr. 1, 3)

- Pomocou regulátora tlaku (5) sa na manometri (4) nastavuje tlak.
- Nastavený tlak sa dá odčítať na rýchlospojke (3).
- Na manometri (6) sa odčíta tlak v kotle.
- Tlak v kotle sa dá odčítať na rýchlospojke (7).

### 9.8 Nastavenie tlakového spínača (obr. 1)

- Tlakový spínač (2) je nastavený z výroby.  
Spínací tlak cca 8 bar  
Vypínací tlak cca 10 bar

### 9.9 Montáž hadice na stlačený vzduch (obr. 1, 3)

- Pripojte nasúvaciu vsuvku (14a) hadice na stlačený vzduch (14) na niektorú z rýchlospojok (3, 7).
- Potom pripojte pneumatiký nástroj na rýchlospojku (14b) hadice na stlačený vzduch (14).

### 9.10 Tepelný ochranný spínač

Tepelný ochranný spínač je zabudovaný do prístroja.

Ak sa tepelný ochranný spínač spustí, postupujte nasledovne:

- Vytiahnite sieťovú zástrčku.
- Počkajte cca 2 až 3 minúty.
- Opäť pripojte prístroj.
- Ak sa prístroj nespustí, zopakujte proces.
- Ak sa prístroj opäť nespustí, vypnite a opäť zapnite prístroj cez zapínač/vypínač (17).
- Ak ste vykonali všetky vyššie uvedené kroky a prístroj napriek tomu nefunguje, kontaktujte náš servis.

## 10. Elektrická prípojka

**Nainštalovaný elektromotor je pripojený a pripravený na prevádzku. Pripojenie zodpovedá príslušným ustanoveniam VDE a DIN. Sieťová prípojka na strane zákazníka, ako aj predĺžovacie vedenie musia zodpovedať týmto predpisom.**

### 10.1 Dôležité upozornenia

Pri preťažení motora sa tento samočinne vypne. Po vychladení (časovo odlišné) je možné motor znovu zapnúť.

### 10.2 Poškodené elektrické prípojné vedenie

Na elektrických prípojných vedeniach často vznikajú škody na izolácii.

Príčinami môžu byť:

- Stlačené miesta, keď sa prípojné vedenia vedú cez okno alebo medzeru medzi dverami.
- Zalomené miesta v dôsledku neodborného upevnenia alebo vedenia prípojného vedenia.
- Rozrezané miesta vzniknuté pri prejazde cez prípojné vedenie.
- Škody na izolácii pri vytrhnutí zo zásuvky v stene.
- Trhliny pri zostarnutí izolácie.

Takéto poškodené elektrické prípojné vedenia sa nesmú používať a z dôvodu poškodenia izolácie sú životnebezpečné.

Elektrické prípojné vedenia pravidelne kontrolujte ohľadom poškodení. Dávajte pozor na to, aby pri kontrole prípojného vedenia nebolo vedenie pripojené k elektrickej sieti.

Elektrické prípojné vedenia musia zodpovedať príslušným ustanoveniam VDE a DIN. Používajte iba prípojné vedenia s rovnakým označením.

Vytlačenie označenia typu na prípojnom kábli je predpis.

### 10.3 Motor na striedavý prúd

- Sieťové napätie musí byť 220 – 240 V~ 50 Hz.
- Predĺžovacie vedenia do dĺžky 25 m musia vykazovať prierez 1,5 mm<sup>2</sup>.

Prípojky a opravy elektrickej výbavy smie vykonávať iba vyučený elektrikár.

V prípade otázok uveďte, prosím, nasledujúce údaje:

- druh prúdu motora,
- Údaje z typového štítku stroja
- údaje z typového štítku motora.

## 11. Čistenie, údržba a skladovanie

### ⚠ Pozor!

Pred všetkými čistiacimi a montážnymi prácami vyťahnite sieťovú zástrčku! Nebezpečenstvo úrazu elektrickým prúdom!

### ⚠ Pozor!

Počkajte, kým prístroj úplne nevychladne! Nebezpečenstvo popálenia!

### ⚠ Pozor!

Pred všetkými čistiacimi a údržbovými prácami musí byť prístroj bez tlaku! Nebezpečenstvo poranenia!

### 11.1 Čistenie

- Udržiavajte prístroj podľa možností bez prachu a nečistôt. Zariadenie vydrhnite čistou handričkou alebo vyfúkajte stlačeným vzduchom pri nízkom tlaku.
- Prístroj odporúčame čistiť bezprostredne po každom použití.
- Stroj pravidelne čistite vlhkou handričkou a malým množstvom mazľavého mydla. Nepoužívajte agresívne čistiace prostriedky ani rozpúšťadlá, mohli by poškodiť plastové diely zariadenia. Dbajte na to, aby sa do vnútra stroja nedostala žiadna voda.
- Hadica a striekacie nástroje sa pred čistením musia odpojiť od kompresora. Kompresor sa nesmie čistiť vodou, rozpúšťadlami alebo pod.

### 11.2 Údržba tlakovej nádoby (obr. 1)

#### ⚠ Pozor!

Na zaručenie dlhšej životnosti tlakovej nádoby (8) je potrebné po každej prevádzke otvoriť vypúšťaciu skrutku (10) a vypustiť kondenzovanú vodu.

Znížte najskôr tlak v kotle (pozri 11.8.1). Vypúšťacia skrutka (10) sa otvorí otočením proti smeru pohybu hodinových ručičiek (smer pohľadu na skrutku zo spodnej strany kompresora), aby bolo možné úplne vypustiť kondenzovanú vodu z tlakovej nádoby (8).

Potom vypúšťaciu skrutku (10) opäť zatvorte (otočte v smere pohybu hodinových ručičiek). Pred každou prevádzkou skontrolujte, či tlaková nádoba (8) nejaví známky hrdze a poškodení.

Kompresor sa nesmie prevádzkovať s poškodenou alebo zhrdzavenou tlakovou nádobou (8). V prípade zistenia poškodení sa obráťte na zákaznícky servis.

### ⚠ Pozor!

Kondenzovaná voda z tlakovej nádoby (8) obsahuje zvyšky oleja. Kondenzovanú vodu zlikvidujte ekologicky v príslušnom zbernom mieste.

### 11.3 Poistný ventil (obr. 3)

Poistný ventil (19) je nastavený na najvyšší prípustný tlak tlakovej nádoby (8). Poistný ventil (19) nie je prípustné prestavovať alebo odstraňovať poistku spojenia (19b) medzi vypúšťacou maticou (19a) a jej uzáverom (19c). Poistný ventil (19) sa musí aktivovať každých 30 prevádzkových hodín min. 3-krát ročne, aby v prípade potreby fungoval. Otvorte perforovanú vypúšťaciu maticu (19a) v protismere hodinových ručičiek a následne potiahnite ventilovú tyčku cez perforovanú vypúšťaciu maticu (19a) ručne smerom von, aby ste otvorili výpusť poistného ventilu (19). Cez ventil teraz počutelné uniká vzduch. Následne utiahnite vypúšťaciu maticu (19a) otočením v smere hodinových ručičiek.

### 11.4 Pravidelne kontrolujte hladinu oleja (obr. 10)

Kompresor postavte na rovnú plochu.

Hladina oleja sa musí nachádzať medzi MAX a MIN priezoru oleja (18).

Výmena oleja: Odporúčaný olej: SAE 15W 40 alebo s podobnými hodnotami. Prvotná náplň sa musí vymeniť po 100 prevádzkových hodinách; potom vyprázdňujte olej každých 500 prevádzkových hodín a opäť naplňte.

### 11.5 Výmena oleja (obr. 1, 9, 10)

Vypnite motor a vyťahnite sieťovú zástrčku zo zásuvky. Odstráňte uzavieraciu zátku oleja (16). Po vypustení prípadného tlaku vzduchu môžete vyskrutkovať vypúšťaciu skrutku oleja (12) na kompresorovom čerpadle (13).

Aby olej nevytekal nekontrolovane, použite malý plechový žliabok a zachytávajte olej priamo do nádoby. Ak olej nevytečie úplne, odporúčame vám mierne nakloniť kompresor. Ak olej vytekol, opäť namontujte vypúšťaciu skrutku oleja (12).

### Starý olej zlikvidujte v príslušnej zberni starého oleja.

Pre naplnenie správneho množstva oleja dbajte na to, aby bol kompresor na rovnom povrchu. Naplňte olej do otvoru na plnenie oleja (20), kým hladina oleja nedosiahne maximálne množstvo plnenia. To je označené červeným bodom na priezore oleja (18) (obr. 10).

Neprekračujte maximálne plniace množstvo. Preplnenie môže mať za následok poškodenie prístroja. Opäť umiestnite uzavieraciu zátku oleja (16) do otvoru na plnenie oleja (20).

### 11.6 Čistenie vzduchového filtra (obr. 3, 11, 12)

Vzduchový filter (15) zabraňuje nasatiu prachu a nečistôt. Je potrebné vyčistiť tento vzduchový filter (15) aspoň každých 300 prevádzkových hodín. Upchatý vzduchový filter výrazne znižuje výkon kompresora.

Odstráňte vzduchový filter (15) otvorením krídlovej skrutky (15b). Vyťahnite následne kryt filtra (15e). Teraz môžete vyskrutkovať filtračnú vložku (15c) a teleso filtra (15d). Opatrne vyklepte filtračnú vložku (15c), kryt filtra (15e) a teleso filtra (15d). Tieto konštrukčné diely sa potom musia vyfúkať stlačeným vzduchom (cca 3 bar) a opäť namontovať v opačnom poradí.

### 11.7 Servisné informácie

Je potrebné dbať na to, že pri tomto produkte podliehajú nasledujúce diely použitiu primeranému alebo prirodzenému opotrebovaniu, resp. nasledujúce diely sú potrebné ako spotrebné materiály.

Diely podliehajúce opotrebovaniu\*: Vzduchový filter

\* nie je nutne obsiahnuté v rozsahu dodávky!

### 11.8 Skladovanie

#### ⚠ Pozor!

**Vyťahnite sieťovú zástrčku, odvzdušnite prístroj a všetky pripojené pneumatiké nástroje. Odstavte kompresor tak, aby ho nemohli uviesť do prevádzky neoprávnené osoby.**

#### ⚠ Pozor!

**Skladujte kompresor len v suchom prostredí neprístupnom pre nepovolanych. Nesklápaajte, skladujte len v stoj! Olej môže vytekať!**

#### 11.8.1 Uvoľnenie pretlaku

Uvoľnite pretlak v kompresore vypnutím kompresora a uvoľnite stlačený vzduch v tlakovej nádobe (8), napr. pomocou pneumatikého nástroja v chode naprázdno alebo vyfukovacou pištoľou.

## 12. Preprava

Na prepravu používajte prepravnú rukoväť (1) a pomocou nej presúvajte kompresor.

Pri dvíhaní kompresora zohľadnite jeho hmotnosť (pozri Technické údaje).

Pri preprave kompresora v motorových vozidlách sa postarajte o dobré zabezpečenie nákladu.

## 13. Likvidácia a opätovné zhodnotenie

Prístroj sa nachádza v obale, aby sa zabránilo prípadným škodám pri preprave. Tento obal je surovina, je teda opätovne použiteľný alebo možno vykonať jeho recykláciu.

Prístroj a jeho príslušenstvo pozostávajú z rôznych materiálov, ako napr. kov a plasty. Poškodené konštrukčné diely odovzdajte na likvidáciu nebezpečného odpadu. Informácie si zistíte v špecializovanom obchode alebo od správy obce!



**Obal je z ekologického materiálu, ktorý môžete zlikvidovať v miestnych recyklačných centrách. O možnostiach likvidácie opotrebovaného prístroja sa informujte na vašej samospráve alebo štátnej správe.**

### Staré zariadenia nevyhadzujte do domového odpadu!



Tento symbol upozorňuje na to, že tento výrobok sa musí zlikvidovať podľa smernice o odpade z elektrických a elektronických zariadení (2012/19/EÚ) a nesmie sa zlikvidovať s domovým odpadom. Tento výrobok sa musí odovzdať na to určenému zbernému stredisku. K tomu môže dôjsť napríklad vrátením pri nákupe podobného výrobku alebo odovzdaním autorizovanému zbernému stredisku na recykláciu odpadu zo starých elektrických a elektronických zariadení. Neodborné zaobchádzanie so starými zariadeniami môže mať v dôsledku potenciálne nebezpečných látok, ktoré obsahuje odpad z elektrických a elektronických zariadení, negatívny vplyv na životné prostredie a zdravie osôb. Odbornou likvidáciou tohto výrobku navyše prispievate k efektívnemu využívaniu prírodných zdrojov. Informácie o zberných strediskách pre staré zariadenia získate od vašej miestnej správy, verejnoprávnej inštitúcie zaoberajúcej sa likvidáciou odpadu, autorizovaného úradu pre likvidáciu odpadu z elektrických a elektronických zariadení alebo od vášho odvozu odpadkov.

## 14. Odstraňovanie porúch

Porucha	Možná príčina	Náprava
Kompresor nebeží.	Sieťové napätie nie je prítomné.	Skontrolujte kábel, sieťovú zástrčku, poistku a zásuvku.
	Sieťové napätie je príliš nízke.	Zabráňte príliš dlhým predlžovacím káblom. Použite predlžovací kábel s dostatočným prierezom jadra.
	Vonkajšia teplota je príliš nízka.	Neprevádzkujte pri vonkajšej teplote nižšej ako +5 °C.
	Motor sa prehrieva.	Nechajte vychladnúť motor, v príp. potreby odstráňte príčinu prehriatia.
Kompresor beží, ale nie je prítomný žiaden tlak.	Poistný ventil (19) je netesný.	Kontaktujte vaše miestne servisné centrum. Opravy nechajte vykonať len vyškolený personál.
	Tesnenia sú poškodené.	Skontrolujte tesnenia, poškodené tesnenia nechajte vymeniť v odbornej dielni.
	Vypúšťacia skrutka pre kondenzovanú vodu (10) je netesná.	Dotiahnite skrutku ručne. Skontrolujte tesnenie na skrutke, v príp. potreby vymeňte.
Kompresor beží, tlak sa zobrazí na manometri, ale nástroje nebežia.	Spoje hadíc sú netesné.	Skontrolujte, v príp. potreby vymeňte hadicu na stlačený vzduch.
	Rýchlospojka je netesná.	Kontaktujte vaše miestne servisné centrum. Opravy nechajte vykonať len vyškolený personál.
	Na regulátore tlaku (5) je nastavený príliš nízky tlak.	Ďalej otáčajte tlakový regulátor.

## 15. Záručný list

Vážená zákazníčka, vážený zákazník,

naše výrobky podliehajú prísnej kontrole kvality. V prípade, že nebude prístroj napriek tomu bezchybne fungovať, je nám to veľmi ľúto a prosíme Vás, aby ste sa obrátili na našu servisnú službu na adrese uvedenej na tomto záručnom liste. Radi Vám budeme k dispozícii taktiež telefonicky na uvedenom servisnom telefónnom čísle. Pri uplatňovaní nárokov na záručné plnenie platia nasledujúce podmienky:

- Tieto záručné podmienky upravujú dodatočné záručné plnenie. Vaše zákonné nároky na záruku nie sú touto zárukou dotknuté. Naše záručné plnenie je pre Vás zadarmo.
- Záručné plnenie sa vzťahuje výlučne len na nedostatky, ktoré sú spôsobené chybami materiálu alebo výrobnými chybami, a je obmedzené na odstránenie týchto nedostatkov resp. výmenu prístroja. Prosím, dbajte na to, že naše prístroje neboli svojím určením konštruované na profesionálne, remeselnícke ani priemyselné použitie. Táto záručná zmluva sa preto neuzatvára, ak sa prístroj bude používať v profesionálnych, remeselníckych alebo priemyselných prevádzkach ako aj na činnosti rovnocenné s takýmto použitím. Z našej záruky sú okrem toho vylúčené náhradné plnenie za škody pri transporte, škody spôsobené nedodržaním návodu na montáž alebo na základe neodbornej inštalácie, nedodržaním návodu na použitie (ako napr. pripojením na nesprávne sieťové napätie alebo druh prúdu), zneužívaním alebo nesprávnym používaním (ako napr. preťaženie prístroja alebo použitie neprípustných pracovných nástrojov alebo príslušenstva), nedodržaním pokynov pre údržbu a bezpečnostných pokynov, vniknutím cudzích telies do prístroja (ako napr. piesok, kamene alebo prach), použitím násilia alebo cudzieho pôsobenia (napr. škody spôsobené pádom), a taktiež je vylúčené bežné opotrebenie primerané použitiu.

Nárok na záruku zaniká, ak už boli na prístroji svojvoľne uskutočnené zásahy.

- Doba záruky je 3 roky a začína sa dátumom nákupu prístroja. Nároky na záruku sa musia uplatniť pred koncom uplynutia záručnej doby do dvoch týždňov od zistenia nedostatku. Uplatnenie nárokov na záruku po uplynutí záručnej doby je vylúčené. Oprava alebo výmena prístroja nevedie k predĺženiu záručnej doby ani nedochádza na základe tohto plnenia ku vzniku novej záručnej doby pre prístroj ani pre akékoľvek inštalované náhradné diely. To platí taktiež pri nasadení miestneho servisu.
- Pre uplatnenie Vášho nároku na záruku sa, prosím, obráťte na nižšie uvedenú adresu servisu. Pokiaľ reklamácia prebieha počas záručnej doby, dáme Vám k dispozícii formulár o vrátení tovaru, s ktorým nám môže svoj chybný prístroj bezplatne poslať späť. Prosím, popíšte nám čo najpresnejšie dôvod reklamácie. Ak spadá defekt prístroja pod naše záručné plnenie, dostanete obratom naspäť opravený alebo nový prístroj.

Samozrejme Vám radi opravíme závady na prístroji na vaše náklady, ak tieto závady nespádajú alebo už nespádajú do rozsahu záruky. Prosím, pošlite nám v takom prípade prístroj na našu servisnú adresu.

### Priama linka servisu (SK):

+800 4003 4003  
(0,00 €/Min.)

### E-mailová adresa (SK):

service.SK@scheppach.com

### Adresa servisu (SK):

GARLAND distributor, s.r.o.  
Hradecká 1136  
CZ - 50601 Jicín



Na stránke [www.lidl-service.com](http://www.lidl-service.com) si môžete stiahnuť tieto a veľa ďalších príručiek, videí o výrobkoch a inštaláčne softvéry.

Pomocou kódu QR môžete priamo otvoriť stránku služieb spoločnosti Lidl ([www.lidl-service.com](http://www.lidl-service.com)) a otvoriť si návod na obsluhu zadáním čísla výrobku (IAN) 360588\_2010.

Inhalt:	Seite:
1. Erklärung der Symbole auf dem Gerät.....	53
2. Einleitung .....	54
3. Gerätebeschreibung (Abb. 1-12).....	54
4. Lieferumfang.....	54
5. Bestimmungsgemäße Verwendung.....	54
6. Sicherheitshinweise .....	55
7. Technische Daten .....	57
8. Vor Inbetriebnahme.....	57
9. Aufbau und Bedienung.....	57
10. Elektrischer Anschluss.....	58
11. Reinigung, Wartung und Lagerung.....	58
12. Transport.....	59
13. Entsorgung und Wiederverwertung.....	60
14. Störungsabhilfe .....	60
15. Garantiekunde .....	61
16. Konformitätserklärung.....	63



## 1. Erklärung der Symbole auf dem Gerät



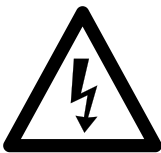
(DE) (AT) (CH) Vor Inbetriebnahme Bedienungsanleitung und Sicherheitshinweise lesen und beachten!



(DE) (AT) (CH) Tragen Sie einen Gehörschutz. Die Einwirkung von Lärm kann Hörverlust bewirken.



(DE) (AT) (CH) Warnung vor heißen Teilen! (A Abb. 11)



(DE) (AT) (CH) Warnung vor elektrischer Spannung



(DE) (AT) (CH) Warnung! Die Einheit startet automatisch und darf ohne Warnung anlaufen.



(DE) (AT) (CH) Achtung! Vor Erstinbetriebnahme Ölstand überprüfen und Ölverschlußstopfen austauschen!



(DE) (AT) (CH) Warn- und Sicherheitshinweise beachten!



(DE) (AT) (CH) Angabe des Schalleistungspegels in dB



(DE) (AT) (CH) Setzen Sie das Gerät nicht dem Regen aus!

## 2. Einleitung

### Hersteller:

scheppach  
Fabrikation von Holzbearbeitungsmaschinen GmbH  
Günzburger Straße 69  
D-89335 Ichenhausen

### Verehrter Kunde,

wir wünschen Ihnen viel Freude und Erfolg beim Arbeiten mit Ihrem neuen Gerät.

### Hinweis:

Der Hersteller dieses Gerätes haftet nach dem geltenden Produkthaftungsgesetz nicht für Schäden, die an diesem Gerät oder durch dieses Gerät entstehen bei:

- unsachgemäßer Behandlung,
- Nichtbeachtung der Bedienungsanleitung,
- Reparaturen durch Dritte, nicht autorisierte Fachkräfte,
- Einbau und Austausch von nicht originalen Ersatzteilen,
- nicht bestimmungsgemäßer Verwendung,
- Ausfällen der elektrischen Anlage bei Nichtbeachtung der elektrischen Vorschriften und VDE-Bestimmungen 0100, DIN 57113 / VDE 0113.

### Beachten Sie:

Lesen Sie vor der Montage und vor Inbetriebnahme den gesamten Text der Bedienungsanleitung durch.

Diese Bedienungsanleitung soll es Ihnen erleichtern, Ihr Elektrowerkzeug kennenzulernen und dessen bestimmungsgemäße Einsatzmöglichkeiten zu nutzen.

Die Bedienungsanleitung enthält wichtige Hinweise, wie Sie mit dem Elektrowerkzeug sicher, fachgerecht und wirtschaftlich arbeiten und wie Sie Gefahren vermeiden, Reparaturkosten sparen, Ausfallzeiten verringern und die Zuverlässigkeit und Lebensdauer des Elektrowerkzeugs erhöhen.

Zusätzlich zu den Sicherheitsbestimmungen dieser Bedienungsanleitung müssen Sie unbedingt die für den Betrieb des Elektrowerkzeugs geltenden Vorschriften Ihres Landes beachten.

Bewahren Sie die Bedienungsanleitung, in einer Plastikhülle geschützt vor Schmutz und Feuchtigkeit, bei dem Elektrowerkzeug auf. Sie muss von jeder Bedienungsperson vor Aufnahme der Arbeit gelesen und sorgfältig beachtet werden. An dem Elektrowerkzeug dürfen nur Personen arbeiten, die im Gebrauch des Elektrowerkzeugs unterwiesen und über die damit verbundenen Gefahren unterrichtet sind. Das geforderte Mindestalter ist einzuhalten.

Neben den in dieser Bedienungsanleitung enthaltenen Sicherheitshinweisen und den besonderen Vorschriften Ihres Landes sind die für den Betrieb von baugleichen Maschinen allgemein anerkannten technischen Regeln zu beachten.

Wir übernehmen keine Haftung für Unfälle oder Schäden, die durch Nichtbeachten dieser Anleitung und den Sicherheitshinweisen entstehen.

## 3. Gerätebeschreibung (Abb. 1-12)

1. Transportgriff
2. Druckschalter
3. Schnellkupplung (geregelter Druckluft)
4. Manometer (eingestellter Druck kann abgelesen werden)
5. Druckregler
6. Manometer (Kesseldruck kann abgelesen werden)
7. Schnellkupplung (ungeregelter Druckluft)
8. Druckbehälter
9. Standfuß
- 9a. Beilagscheibe
- 9b. Schraube
10. Ablassschraube für Kondenswasser
11. Rad
- 11a. Beilagscheibe
- 11b. Linsenkopfschraube
12. Ölablassschraube
13. Verdichterpumpe
14. Druckluftschlauch
- 14a. Stecknippel
- 14b. Schnellkupplung
15. Luftfilter
- 15a. Transportdeckel
- 15b. Flügelschraube
- 15c. Filtereinsatz
- 15d. Filtergehäuse
- 15e. Filterdeckel
16. Ölverschlussstopfen
17. Ein-/Ausschalter
18. Ölschauglas
19. Sicherheitsventil
- 19a. Ablassmutter
- 19b. Verbindungssicherung
- 19c. Kappe der Ablassmutter
20. Öleinfüllöffnung
- 20a. Transportdeckel

## 4. Lieferumfang

- 1x Luftfilter
- 2x Standfuß
- 2x Rad
- 1x Montagematerial
- 1x Ölverschlussstopfen
- 1x Ölflasche
- 1x Druckluftschlauch
- 1x Bedienungsanleitung

## 5. Bestimmungsgemäße Verwendung

Der Kompressor dient zum Erzeugen von Druckluft für druckluftbetriebene Werkzeuge, welche mit einer Luftmenge bis ca. 180 l/min. betrieben werden können (z. B. Reifenfüller, Ausblaspistole und Lackierpistole). Aufgrund der begrenzten Luftfördermenge ist es nicht möglich, Werkzeuge zu betreiben, welche einen sehr hohen Luftverbrauch aufweisen (z. B. Schwingschleifer, Stabschleifer und Schlagschrauber).

Die Maschine darf nur nach ihrer Bestimmung verwendet werden. Jede weitere darüber hinausgehende Verwendung ist nicht bestimmungsgemäß. Für daraus hervorgerufene Schäden oder Verletzungen aller Art haftet der Benutzer/Bediener und nicht der Hersteller.

Bitte beachten Sie, dass unsere Geräte bestimmungsgemäß nicht für den gewerblichen, handwerklichen oder industriellen Einsatz konstruiert wurden. Wir übernehmen keine Gewährleistung, wenn das Gerät in Gewerbe-, Handwerks- oder Industriebetrieben sowie bei gleichzusetzenden Tätigkeiten eingesetzt wird.

## 6. Sicherheitshinweise

### ⚠ Achtung!

Beim Gebrauch von Elektrowerkzeugen sind zum Schutz gegen elektrischen Schlag, Verletzungs- und Brandgefahr folgende grundsätzliche Sicherheitsmaßnahmen zu beachten. Lesen Sie alle diese Hinweise, bevor Sie dieses Elektrowerkzeug benutzen, und bewahren Sie die Sicherheitshinweise gut auf.

### Sicheres Arbeiten

- Halten Sie Ihren Arbeitsbereich in Ordnung
  - Unordnung im Arbeitsbereich kann Unfälle zur Folge haben.
- Berücksichtigen Sie Umgebungseinflüsse
  - Setzen Sie Elektrowerkzeuge nicht dem Regen aus.
  - Benutzen Sie Elektrowerkzeuge nicht in feuchter oder nasser Umgebung. Gefahr durch Stromschlag!
  - Sorgen Sie für gute Beleuchtung des Arbeitsbereichs.
  - Benutzen Sie Elektrowerkzeuge nicht, wo Brand- oder Explosionsgefahr besteht.
- Schützen Sie sich vor elektrischem Schlag
  - Vermeiden Sie Körperberührung mit geerdeten Teilen (z. B. Rohren, Radiatoren, Elektroherden, Kühlgeräten).
- Halten Sie Kinder fern!
  - Lassen Sie andere Personen nicht das Werkzeug und das Kabel berühren, halten Sie sie von Ihrem Arbeitsbereich fern.
- Bewahren Sie unbenutzte Elektrowerkzeuge sicher auf
  - Unbenutzte Elektrowerkzeuge sollten an einem trockenen, hochgelegenen oder abgeschlossenen Ort, außerhalb der Reichweite von Kindern, abgelegt werden.
- Überlasten Sie Ihr Elektrowerkzeug nicht
  - Sie arbeiten besser und sicherer im angegebenen Leistungsbereich.
- Tragen Sie geeignete Kleidung
  - Tragen Sie keine weite Kleidung oder Schmuck, sie könnten von beweglichen Teilen erfasst werden.
  - Bei Arbeiten im Freien sind Gummihandschuhe und rutschfestes Schuhwerk empfehlenswert.
  - Tragen Sie bei langen Haaren ein Haarnetz.
- Verwenden Sie das Kabel nicht für Zwecke, für die es nicht bestimmt ist
  - Benutzen Sie das Kabel nicht, um den Stecker aus der Steckdose zu ziehen. Schützen Sie das Kabel vor Hitze, Öl und scharfen Kanten.
- Pflegen Sie Ihre Werkzeuge mit Sorgfalt
  - Halten Sie Ihren Kompressor sauber, um gut und sicher zu arbeiten.

- Befolgen Sie die Wartungsvorschriften.
  - Kontrollieren Sie regelmäßig die Anschlussleitung des Elektrowerkzeugs und lassen Sie diese bei Beschädigung von einem anerkannten Fachmann erneuern.
  - Kontrollieren Sie Verlängerungsleitungen regelmäßig und ersetzen Sie diese, wenn sie beschädigt sind.
- Ziehen Sie den Stecker aus der Steckdose
    - Bei Nichtgebrauch des Elektrowerkzeugs, vor der Wartung und beim Wechsel von Werkzeugen wie z. B. Sägeblatt, Bohrer, Fräser.
  - Vermeiden Sie unbeabsichtigten Anlauf
    - Vergewissern Sie sich, dass der Schalter beim Einstecken des Steckers in die Steckdose ausgeschaltet ist.
  - Benutzen Sie Verlängerungskabel für den Außenbereich
    - Verwenden Sie im Freien nur dafür zugelassene und entsprechend gekennzeichnete Verlängerungskabel.
    - Verwenden Sie die Kabeltrommel nur im abgerollten Zustand.
  - Seien Sie stets aufmerksam
    - Achten Sie darauf, was Sie tun. Gehen Sie mit Vernunft an die Arbeit. Benutzen Sie das Elektrowerkzeug nicht, wenn Sie unkonzentriert sind.
  - Überprüfen Sie das Elektrowerkzeug auf eventuelle Beschädigungen
    - Vor weiterem Gebrauch des Elektrowerkzeugs müssen Schutzvorrichtungen oder leicht beschädigte Teile sorgfältig auf ihre einwandfreie und bestimmungsgemäße Funktion untersucht werden.
    - Überprüfen Sie, ob die beweglichen Teile einwandfrei funktionieren und nicht klemmen oder ob Teile beschädigt sind. Sämtliche Teile müssen richtig montiert sein und alle Bedingungen erfüllen, um den einwandfreien Betrieb des Elektrowerkzeugs zu gewährleisten.
    - Beschädigte Schutzvorrichtungen und Teile müssen bestimmungsgemäß durch eine anerkannte Fachwerkstatt repariert oder ausgewechselt werden, soweit nichts anderes in der Bedienungsanleitung angegeben ist.
    - Beschädigte Schalter müssen bei einer Kundendienstwerkstatt ersetzt werden.
    - Benutzen Sie keine fehlerhaften oder beschädigten Anschlussleitungen.
    - Benutzen Sie keine Elektrowerkzeuge, bei denen sich der Schalter nicht ein- und ausschalten lässt.
  - Lassen Sie Ihr Elektrowerkzeug durch eine Elektrofachkraft reparieren
    - Dieses Elektrowerkzeug entspricht den einschlägigen Sicherheitsbestimmungen. Reparaturen dürfen nur von einer Elektrofachkraft ausgeführt werden, indem Originalersatzteile verwendet werden; anderenfalls können Unfälle für den Benutzer entstehen.
  - Achtung!
    - Zu Ihrer eigenen Sicherheit, benutzen Sie nur Zubehör und Zusatzgeräte, die in der Bedienungsanleitung angegeben oder vom Hersteller empfohlen oder angegeben werden. Der Gebrauch anderer als der in der Bedienungsanleitung oder im Katalog empfohlenen Einsatzwerkzeuge oder Zubehöre kann eine persönliche Verletzungsgefahr für Sie bedeuten.
  - Geräusch
    - Bei Verwendung des Kompressors Gehörschutz tragen.

18. Austausch der Anschlussleitung
  - Wenn die Anschlussleitung beschädigt wird, muss sie vom Hersteller oder einer Elektrofachkraft ersetzt werden, um Gefährdungen zu vermeiden. Gefahr durch Stromschläge.
19. Befüllung von Reifen
  - Kontrollieren Sie den Reifendruck unmittelbar nach der Befüllung durch ein geeignetes Manometer, z. B. an einer Tankstelle.
20. Straßenfahrbare Kompressoren im Baustellenbetrieb
  - Achten Sie darauf, dass alle Schläuche und Armaturen für den höchst zulässigen Arbeitsdruck des Kompressors geeignet sind.
21. Aufstellort
  - Stellen Sie den Kompressor nur auf einer ebenen Fläche auf.
22. Es ist empfohlen, dass Zuführschläuche bei Drücken über 7 bar mit einem Sicherheitskabel, z. B. einem Drahtseil ausgestattet werden sollten.
23. Vermeiden Sie starke Belastungen auf das Leitungssystem, indem Sie flexible Schlauchanschlüsse verwenden, um Knickstellen zu vermeiden.
24. Stellen Sie sicher, dass die Ölkühleinrichtungen sauber gehalten werden und die Schutzeinrichtungen im betriebsfähigen Zustand bleiben.
25. Verbrennungsgefahr am heißen Öl
  - Tragen Sie geeignete Schutzhandschuhe.
  - Arbeiten Sie mit dem Kompressor nie in der Nähe offener Flammen.
  - Achten Sie darauf, kein Öl zu verschütten.
26. Bei niedrigen Temperaturen unter 0°C ist der Motoranlauf verboten.

### Zusätzliche Sicherheitshinweise

#### Sicherheitshinweise zum Arbeiten mit Druckluft und Ausblaspistolen

- Verdichterpumpe und Leitungen erreichen im Betrieb hohe Temperaturen. Berührungen führen zu Verbrennungen.
- Die vom Kompressor angesaugte Luft ist frei von Beimengungen zu halten, die in der Verdichterpumpe zu Bränden oder Explosionen führen können.
- Halten Sie beim Lösen der Schlauchkupplung das Kupplungsstück des Schlauches mit der Hand fest. So vermeiden Sie Verletzungen durch den zurückschnellenden Schlauch.
- Bei Arbeiten mit der Ausblaspistole Schutzbrille tragen. Durch Fremdkörper und weggeblasene Teile können leicht Verletzungen verursacht werden.
- Mit der Ausblaspistole keine Personen anblasen oder Kleidung am Körper reinigen. Verletzungsgefahr!

#### Sicherheitshinweise beim Farbspritzen

- Keine Lacke oder Lösungsmittel mit einem Flammpunkt von weniger als 55° C verarbeiten. Explosionsgefahr!
- Lacke und Lösungsmittel nicht erwärmen. Explosionsgefahr!
- Werden gesundheitsschädliche Flüssigkeiten verarbeitet, sind zum Schutz Filtergeräte (Gesichtsmasken) erforderlich. Beachten Sie auch die von den Herstellern solcher Stoffe gemachten Angaben über Schutzmaßnahmen.

- Die auf den Umverpackungen der verarbeiteten Materialien aufgetragenen Angaben und Kennzeichnungen der Gefahrstoffverordnung sind zu beachten. Gegebenenfalls sind zusätzliche Schutzmaßnahmen zu treffen, insbesondere geeignete Kleidung und Masken zu tragen.
- Während des Spritzvorgangs sowie im Arbeitsraum darf nicht geraucht werden. Explosionsgefahr! Auch Farbdämpfe sind leicht brennbar.
- Feuerstellen, offenes Licht oder funkenschlagende Maschinen dürfen nicht vorhanden sein bzw. betrieben werden.
- Speisen und Getränke nicht im Arbeitsraum aufbewahren oder verzehren. Farbdämpfe sind gesundheitsschädlich.
- Der Arbeitsraum muss größer als 30 m<sup>3</sup> sein und es muss ausreichender Luftwechsel beim Spritzen und Trocknen gewährleistet sein.
- Nicht gegen den Wind spritzen. Grundsätzlich beim Verspritzen von brennbaren bzw. gefährlichen Spritzgütern die Bestimmungen der örtlichen Polizeibehörde beachten.
- Verarbeiten Sie in Verbindung mit dem PVC-Druckschlauch keine Medien wie Testbenzin, Butylalkohol und Methylenchlorid. Diese Medien zerstören den Druckschlauch.
- Bei Anwendung in Verbindung mit Spritzzubehör (z. B. einer Farbspritzpistole): Halten Sie beim Befüllen der Spritzgeräte Abstand zum Gerät und spritzen Sie nicht in Richtung des Kompressors.

#### Betrieb von Druckbehältern

- Wer einen Druckbehälter betreibt, hat diesen in einem ordnungsgemäßen Zustand zu erhalten, ordnungsgemäß zu betreiben, zu überwachen, notwendige Instandhaltungs- und Instandsetzungsarbeiten unverzüglich vorzunehmen und die den Umständen nach erforderlichen Sicherheitsmaßnahmen zu treffen.
- Die Aufsichtsbehörde kann im Einzelfall erforderliche Überwachungsmaßnahmen anordnen.
- Ein Druckbehälter darf nicht betrieben werden, wenn er Mängel aufweist, durch die Beschäftigte oder Dritte gefährdet werden.
- Kontrollieren Sie den Druckbehälter vor jedem Betrieb auf Rost und Beschädigungen. Der Kompressor darf nicht mit einem beschädigten oder rostigen Druckbehälter betrieben werden. Stellen Sie Beschädigungen fest, so wenden Sie sich bitte an die Kundendienstwerkstatt.

#### Bewahren Sie die Sicherheitshinweise gut auf.

#### Restrisiko

Halten Sie die vorgegebenen Wartungs- und Sicherheitshinweise der Bedienungsanleitung ein. Seien Sie stets aufmerksam bei der Arbeit und halten Sie dritte Personen in einem sicheren Abstand von Ihrem Arbeitsplatz fern.

Auch bei sachgemäßer Verwendung des Gerätes bleibt immer ein gewisses Restrisiko, das nicht ausgeschlossen werden kann. Aus der Art und Konstruktion des Gerätes können die folgenden potentiellen Gefährdungen abgeleitet werden:

- Unbeabsichtigte Inbetriebsetzung des Produktes.
- Schädigung des Gehöres, wenn kein vorgeschriebener Gehörschutz getragen wird.

- Schmutzpartikel, Staub etc. können trotz des Tragens der Schutzbrille in Ihr Auge oder Gesicht gelangen.
- Einatmen von aufgewirbelten Partikeln.

### Warnung!

Dieses Elektrowerkzeug erzeugt während des Betriebs ein elektromagnetisches Feld. Dieses Feld kann unter bestimmten Umständen aktive oder passive medizinische Implantate beeinträchtigen. Um die Gefahr von ernsthaften oder tödlichen Verletzungen zu verringern, empfehlen wir Personen mit medizinischen Implantaten ihren Arzt und den Hersteller vom medizinischen Implantat zu konsultieren, bevor das Elektrowerkzeug bedient wird.

## 7. Technische Daten

Netzanschluss .....	230 V~ 50 Hz
Motorleistung .....	1800 W
Betriebsart.....	S1
Kompressor-Drehzahl .....	2850 min <sup>-1</sup>
Druckbehältervolumen .....	ca. 24 l
Maximaler Betriebsdruck.....	ca. 10 bar
Theoretische Ansaugleistung .....	ca. 260 l/min
Schalldruckpegel L <sub>PA</sub> .....	72,9 dB(A)
Schalleistungspegel L <sub>WA</sub> .....	92,9 dB(A)
Unsicherheit K <sub>PA/WA</sub> .....	2,59 dB
Schutzart.....	IP32
Gerätgewicht.....	ca. 26,8 kg
Öl (SAE 15W 40).....	ca. 0,25 l
Maximale Aufstellhöhe (üNN).....	1000 m

Die Geräuschemissionswerte wurden entsprechend EN ISO 3744:1995 ermittelt.

### Tragen Sie einen Gehörschutz.

Die Einwirkung von Lärm kann Gehörverlust bewirken.

## 8. Vor Inbetriebnahme

- Öffnen Sie die Verpackung und nehmen Sie das Gerät vorsichtig heraus.
- Entfernen Sie das Verpackungsmaterial sowie Verpackungs- und Transportsicherungen (falls vorhanden).
- Überprüfen Sie, ob der Lieferumfang vollständig ist.
- Kontrollieren Sie das Gerät und die Zubehörteile auf Transportschäden.
- Bewahren Sie die Verpackung nach Möglichkeit bis zum Ablauf der Garantiezeit auf.

### GEFAHR

**Gerät und Verpackungsmaterialien sind kein Kinderspielzeug! Kinder dürfen nicht mit Kunststoffbeuteln, Folien und Kleinteilen spielen! Es besteht Verschluckungs- und Erstickungsgefahr!**

Überzeugen Sie sich vor dem Anschließen, dass die Daten auf dem Typenschild mit den Netzdaten übereinstimmen.

- Entfernen Sie vor Erstinbetriebnahme den Transportdeckel (20a) und füllen Sie das Verdichterpumpengehäuse mit Öl, wie unter Punkt 9.4 beschrieben.

- Überprüfen Sie das Gerät auf Transportschäden. Etwaige Schäden sofort dem Transportunternehmen melden, mit dem der Kompressor angeliefert wurde.
- Die Aufstellung des Kompressors muss in der Nähe des Verbrauchers erfolgen.
- Lange Luftleitungen und lange Zuleitungen (Verlängerungskabel) sind zu vermeiden.
- Auf trockene und staubfreie Ansaugluft achten.
- Den Kompressor nicht in feuchten oder nassen Räumen aufstellen.
- Der Kompressor darf nur in geeigneten Räumen (gut belüftet, Umgebungstemperatur +5°C bis 40°C) betrieben werden. Im Raum dürfen sich keine Stäube, keine Säuren, Dämpfe, explosive oder entflammbare Gase befinden.
- Der Kompressor ist geeignet für den Einsatz in trockenen Räumen. In Bereichen, in denen mit Spritzwasser gearbeitet wird, ist der Einsatz nicht zulässig.
- Vor Inbetriebnahme muss der Ölstand im Verdichterpumpengehäuse kontrolliert werden.

## 9. Aufbau und Bedienung

### ⚠ Achtung!

**Vor der Inbetriebnahme das Gerät unbedingt komplett montieren!**

Zur Montage benötigen Sie:

- 1x Gabelschlüssel 13 mm
- 1x Kreuzschlitzschraubendreher (nicht im Lieferumfang enthalten)

### 9.1 Montage der Räder (Abb. 4)

- Montieren Sie die beiliegenden Räder (11) wie dargestellt.

### 9.2 Montage der Standfüße (Abb. 5)

- Montieren Sie die beiliegenden Standfüße (9) wie dargestellt.

### 9.3 Montage des Luftfilters (Abb. 6, 7)

- Entfernen Sie den Transportdeckel (15a) und schrauben Sie den Luftfilter (15) am Gerät fest.

### 9.4 Einfüllen des Öls (Abb. 8, 9)

- Entfernen Sie den Transportdeckel (20a) der Öleinfüllöffnung (20).
- Füllen Sie das mitgelieferte Kompressorenöl in das Verdichterpumpengehäuse und setzen Sie den beiliegenden Ölverschlußstopfen (16) in die Öleinfüllöffnung (20) ein.

### 9.5 Netzanschluss

- Der Kompressor ist mit einer Netzleitung mit Schutzkontaktstecker ausgerüstet. Dieser kann an jeder Schutzkontaktsteckdose 220 - 240 V~ 50 Hz, welche mit 16 A abgesichert ist, angeschlossen werden.
- Achten Sie vor Inbetriebnahme darauf, dass die Netzspannung mit der Betriebsspannung und mit der Maschinenleistung auf dem Typenschild übereinstimmt.
- Lange Zuleitungen, sowie Verlängerungen, Kabeltrommeln usw. verursachen Spannungsabfall und können den Motoranlauf verhindern.
- Bei niedrigen Temperaturen unter +5°C ist der Motoranlauf durch Schwergängigkeit gefährdet.

## 9.6 Ein-/Ausschalter (Abb. 2)

- Zum Einschalten des Kompressors wird der Ein-/Ausschalter (17) nach oben gezogen. Zum Abschalten wird der Ein-/Ausschalter (17) nach unten gedrückt.

## 9.7 Druckeinstellung (Abb. 1, 3)

- Mit dem Druckregler (5) wird der Druck am Manometer (4) eingestellt.
- Der eingestellte Druck kann an der Schnellkupplung (3) entnommen werden.
- Am Manometer (6) wird der Kesseldruck abgelesen.
- Der Kesseldruck wird an der Schnellkupplung (7) entnommen.

## 9.8 Druckschaltereinstellung (Abb. 1)

- Der Druckschalter (2) ist werkseitig eingestellt.  
Einschaltdruck ca. 8 bar  
Ausschaltdruck ca. 10 bar

## 9.9 Montage des Druckluftschlauchs (Abb. 1, 3)

- Schließen Sie den Stecknippel (14a) des Druckluftschlauchs (14) an eine der Schnellkupplungen (3, 7) an.
- Schließen Sie danach das Druckluftwerkzeug an der Schnellkupplung (14b) des Druckluftschlauches (14) an.

## 9.10 Thermoschutzschalter

Der Thermoschutzschalter ist im Gerät verbaut.

Löst der Thermoschutzschalter aus, gehen Sie wie folgt vor:

- Ziehen Sie den Netzstecker.
- Warten Sie circa zwei bis drei Minuten.
- Stecken Sie das Gerät wieder ein.
- Startet das Gerät nicht, wiederholen Sie den Vorgang.
- Startet das Gerät erneut nicht, schalten Sie das Gerät am Ein-/Ausschalter (17) aus und wieder an.
- Wenn Sie alle oben genannten Schritte durchgeführt haben und das Gerät trotzdem nicht funktioniert, kontaktieren Sie unseren Service.

## 10. Elektrischer Anschluss

**Der installierte Elektromotor ist betriebsfertig angeschlossen. Der Anschluss entspricht den einschlägigen VDE- und DIN-Bestimmungen. Der kundenseitige Netzanschluss sowie die verwendete Verlängerungsleitung müssen diesen Vorschriften entsprechen.**

### 10.1 Wichtige Hinweise

Bei Überlastung des Motors schaltet dieser selbständig ab. Nach einer Abkühlzeit (zeitlich unterschiedlich) lässt sich der Motor wieder einschalten.

### 10.2 Schadhafte elektrische Anschlussleitung

An elektrischen Anschlussleitungen entstehen oft Isolationsschäden.

Ursachen hierfür können sein:

- Druckstellen, wenn Anschlussleitungen durch Fenster oder Türspalten geführt werden.
- Knickstellen durch unsachgemäße Befestigung oder Führung der Anschlussleitung.
- Schnittstellen durch Überfahren der Anschlussleitung.

- Isolationsschäden durch Herausreißen aus der Wandsteckdose.
  - Risse durch Alterung der Isolation.
- Solch schadhafte elektrische Anschlussleitungen dürfen nicht verwendet werden und sind aufgrund der Isolationsschäden lebensgefährlich.

Elektrische Anschlussleitungen regelmäßig auf Schäden überprüfen. Achten Sie darauf, dass beim Überprüfen die Anschlussleitung nicht am Stromnetz hängt.

Elektrische Anschlussleitungen müssen den einschlägigen VDE- und DIN-Bestimmungen entsprechen. Verwenden Sie nur Anschlussleitungen mit gleicher Kennzeichnung. Ein Aufdruck der Typenbezeichnung auf dem Anschlusskabel ist Vorschrift.

### 10.3 Wechselstrommotor

- Die Netzspannung muss 220 - 240 V~ 50 Hz betragen.
- Verlängerungsleitungen bis 25 m Länge müssen einen Querschnitt von 1,5 Quadratmillimeter aufweisen.

Anschlüsse und Reparaturen der elektrischen Ausrüstung dürfen nur von einer Elektro-Fachkraft durchgeführt werden.

Bei Rückfragen bitte folgende Daten angeben:

- Stromart des Motors
- Daten des Maschinen-Typenschildes
- Daten des Motor-Typenschildes

## 11. Reinigung, Wartung und Lagerung

### ⚠ Achtung!

Ziehen Sie vor allen Reinigungs- und Wartungsarbeiten den Netzstecker! Verletzungsgefahr durch Stromstöße!

### ⚠ Achtung!

Warten Sie, bis das Gerät vollständig abgekühlt ist! Verbrennungsgefahr!

### ⚠ Achtung!

Vor allen Reinigungs- und Wartungsarbeiten ist das Gerät drucklos zu machen! Verletzungsgefahr!

### 11.1 Reinigung

- Halten Sie das Gerät so staub- und schmutzfrei wie möglich. Reiben Sie das Gerät mit einem sauberen Tuch ab oder blasen Sie es mit Druckluft bei niedrigem Druck aus.
- Wir empfehlen, dass Sie das Gerät direkt nach jeder Benutzung reinigen.
- Reinigen Sie das Gerät regelmäßig mit einem feuchten Tuch und etwas Schmierseife. Verwenden Sie keine aggressiven Reinigungs- oder Lösungsmittel; diese könnten die Kunststoffteile des Gerätes angreifen. Achten Sie darauf, dass kein Wasser in das Geräteinnere gelangen kann.
- Schlauch und Spritzwerkzeuge müssen vor Reinigung vom Kompressor getrennt werden. Der Kompressor darf nicht mit Wasser, Lösungsmitteln oder Ähnlichem gereinigt werden.

## 11.2 Wartung des Druckbehälters (Abb. 1)

### Achtung!

Für dauerhafte Haltbarkeit des Druckbehälters (8) ist nach jedem Betrieb das Kondenswasser durch Öffnen der Ablassschraube (10) abzulassen.

Lassen Sie zuvor den Kesseldruck ab (siehe 11.8.1). Die Ablassschraube (10) wird durch Drehen gegen den Uhrzeigersinn geöffnet (Blickrichtung von der Kompressorunterseite auf die Schraube), damit das Kondenswasser vollständig aus dem Druckbehälter (8) ablaufen kann.

Verschließen Sie danach die Ablassschraube (10) wieder (Drehen im Uhrzeigersinn). Kontrollieren Sie den Druckbehälter (8) vor jedem Betrieb auf Rost und Beschädigungen.

Der Kompressor darf nicht mit einem beschädigten oder rostigen Druckbehälter (8) betrieben werden. Stellen Sie Beschädigungen fest, so wenden Sie sich bitte an die Kundendienstwerkstatt.

### ⚠ Achtung!

Das Kondenswasser aus dem Druckbehälter (8) enthält Ölrückstände. Entsorgen Sie das Kondenswasser umweltgerecht bei einer entsprechenden Sammelstelle.

## 11.3 Sicherheitsventil (Abb. 3)

Das Sicherheitsventil (19) ist auf den höchstzulässigen Druck des Druckbehälters (8) eingestellt. Es ist nicht zulässig, das Sicherheitsventil (19) zu verstellen oder die Verbindungssicherung (19b) zwischen der Ablassmutter (19a) und deren Kappe (19c) zu entfernen. Damit das Sicherheitsventil (19) im Bedarfsfall richtig funktioniert, muss dieses alle 30 Betriebsstunden, mindestens jedoch dreimal jährlich betätigt werden. Drehen Sie die perforierte Ablassmutter (19a) zum Öffnen gegen den Uhrzeigersinn und ziehen dann die Ventilstange über die perforierte Ablassmutter (19a) von Hand nach außen, um den Auslass des Sicherheitsventils (19) zu öffnen. Das Ventil lässt nun hörbar Luft ab. Anschließend drehen Sie die Ablassmutter (19a) wieder im Uhrzeigersinn fest.

## 11.4 Ölstand regelmäßig kontrollieren (Abb. 10)

Kompressor auf eine ebene, gerade Fläche stellen.

Der Ölstand muss sich zwischen MAX und MIN des Ölschauglases (18) befinden.

Ölwechsel: Empfohlenes Öl: SAE 15W 40 oder gleichwertiges. Die Erstfüllung muss nach 100 Betriebsstunden gewechselt werden; danach ist alle 500 Betriebsstunden das Öl abzulassen und neues nachzufüllen.

## 11.5 Ölwechsel (Abb. 1, 9, 10)

Schalten Sie den Motor ab und ziehen Sie den Netzstecker aus der Steckdose. Entfernen Sie den Ölverschlussstopfen (16). Nachdem Sie den eventuell vorhandenen Luftdruck abgelassen haben, können Sie die Ölablassschraube (12) an der Verdichterpumpe (13) herausschrauben.

Damit das Öl nicht unkontrolliert herausläuft, halten Sie eine kleine Blechrinne darunter und fangen Sie das Öl in einem Behälter auf. Falls das Öl nicht vollständig herausläuft, empfehlen wir den Kompressor ein wenig zu neigen. Ist das Öl herausgelaufen, setzen Sie die Ölablassschraube (12) wieder ein.

**Das Altöl entsorgen Sie bei einer entsprechenden Annahmestelle für Altöl.**

Um die richtige Ölmenge einzufüllen, achten Sie darauf, dass der Kompressor auf einer geraden Fläche steht. Füllen Sie das neue Öl in die Öleinfüllöffnung (20), bis der Ölstand die maximale Füllmenge erreicht. Diese ist durch einen roten Punkt auf dem Ölschauglas (18) gekennzeichnet (Abb. 10).

Überschreiten Sie nicht die maximale Füllmenge. Eine Überfüllung kann einen Geräteschaden zur Folge haben. Setzen Sie den Ölverschlussstopfen (16) wieder in die Öleinfüllöffnung (20).

## 11.6 Reinigen des Luftfilters (Abb. 3, 11, 12)

Der Luftfilter (15) verhindert das Einsaugen von Staub und Schmutz. Es ist notwendig, diesen Luftfilter (15) mindestens alle 300 Betriebsstunden zu reinigen. Ein verstopfter Luftfilter vermindert die Leistung des Kompressors erheblich.

Entfernen Sie den Luftfilter (15), indem Sie die Flügelschraube (15b) öffnen. Ziehen Sie danach den Filterdeckel (15e) ab. Sie können nun den Filtereinsatz (15c) und das Filtergehäuse (15d) herausnehmen. Klopfen Sie den Filtereinsatz (15c), den Filterdeckel (15e) und das Filtergehäuse (15d) vorsichtig aus. Diese Bauteile müssen danach mit Druckluft (ca. 3 bar) ausgeblasen und in umgekehrter Reihenfolge wieder montiert werden.

## 11.7 Service-Informationen

Es ist zu beachten, dass bei diesem Produkt folgende Teile einem gebrauchsgemäßen oder natürlichen Verschleiß unterliegen bzw. folgende Teile als Verbrauchsmaterialien benötigt werden.

Verschleißteile\*: Luftfilter

\* nicht zwingend im Lieferumfang enthalten!

## 11.8 Lagerung

### ⚠ Achtung!

**Ziehen Sie den Netzstecker, entlüften Sie das Gerät und alle angeschlossenen Druckluftwerkzeuge. Stellen Sie den Kompressor so ab, dass dieser nicht von Unbefugten in Betrieb genommen werden kann.**

### ⚠ Achtung!

**Den Kompressor nur in trockener und für Unbefugte unzugänglicher Umgebung aufbewahren. Nicht kippen, nur stehend aufbewahren! Öl kann auslaufen!**

### 11.8.1 Ablassen des Überdrucks

Lassen Sie den Überdruck im Kompressor ab, indem Sie den Kompressor ausschalten und die noch im Druckbehälter (8) vorhandene Druckluft verbrauchen, z. B. mit einem Druckluftwerkzeug im Leerlauf oder mit einer Ausblaspistole.

## 12. Transport

Verwenden Sie zum Transport den Transportgriff (1) und fahren Sie damit den Kompressor.

Beachten Sie beim Anheben des Kompressors dessen Gewicht (siehe Technische Daten).

Sorgen Sie beim Transport des Kompressors in Kraftfahrzeugen für eine gute Ladungssicherung.

### 13. Entsorgung und Wiederverwertung

Das Gerät befindet sich in einer Verpackung, um Transportschäden zu verhindern. Diese Verpackung ist Rohstoff und ist somit wieder verwendbar oder kann dem Rohstoffkreislauf zurückgeführt werden.

Das Gerät und dessen Zubehör bestehen aus verschiedenen Materialien, wie z. B. Metall und Kunststoffe. Führen Sie defekte Bauteile der Sondermüllentsorgung zu. Fragen Sie im Fachgeschäft oder in der Gemeindeverwaltung nach!



**Die Verpackung besteht aus umweltfreundlichen Materialien, die Sie über die örtlichen Recyclingstellen entsorgen können.**

**Möglichkeiten zur Entsorgung des ausgedienten Gerätes erfahren Sie bei Ihrer Gemeinde- oder Stadtverwaltung.**

#### Altgeräte dürfen nicht in den Hausmüll!



Dieses Symbol weist darauf hin, dass dieses Produkt gemäß Richtlinie über Elektro- und Elektronik-Altgeräte (2012/19/EU) und nationalen Gesetzen nicht über den Hausmüll entsorgt werden darf. Dieses Produkt muss bei einer dafür vorgesehenen Sammelstelle abgegeben werden. Dies kann z. B. durch Rückgabe beim Kauf eines ähnlichen Produkts oder durch Abgabe bei einer autorisierten Sammelstelle für die Wiederaufbereitung von Elektro- und Elektronik-Altgeräten geschehen. Der unsachgemäße Umgang mit Altgeräten kann aufgrund potentiell gefährlicher Stoffe, die häufig in Elektro und Elektronik-Altgeräten enthalten sind, negative Auswirkungen auf die Umwelt und die menschliche Gesundheit haben. Durch die sachgemäße Entsorgung dieses Produkts tragen Sie außerdem zu einer effektiven Nutzung natürlicher Ressourcen bei. Informationen zu Sammelstellen für Altgeräte erhalten Sie bei Ihrer Stadtverwaltung, dem öffentlich-rechtlichen Entsorgungsträger, einer autorisierten Stelle für die Entsorgung von Elektro- und Elektronik-Altgeräten oder Ihrer Müllabfuhr.

### 14. Störungsabhilfe

Störung	Mögliche Ursache	Abhilfe
Kompressor läuft nicht.	Netzspannung nicht vorhanden.	Kabel, Netzstecker, Sicherung und Steckdose überprüfen.
	Netzspannung zu niedrig.	Zu lange Verlängerungskabel vermeiden. Verlängerungskabel mit ausreichendem Aderquerschnitt verwenden.
	Außentemperatur zu niedrig.	Nicht unter +5 °C Außentemperatur betreiben.
	Motor überhitzt.	Motor abkühlen lassen, ggf. Ursache der Überhitzung beseitigen.
Kompressor läuft, jedoch kein Druck.	Sicherheitsventil (19) undicht.	Kontaktieren Sie Ihr lokales Service-Center. Reparaturen nur von geschultem Personal durchführen lassen.
	Dichtungen kaputt.	Dichtungen überprüfen, kaputte Dichtungen bei einer Fachwerkstatt ersetzen lassen.
	Ablassschraube für Kondenswasser (10) undicht.	Schraube per Hand nachziehen. Dichtung auf der Schraube überprüfen, ggf. ersetzen.
Kompressor läuft, Druck wird am Manometer angezeigt, jedoch Werkzeuge laufen nicht.	Schlauchverbindungen undicht.	Druckluftschlauch und Werkzeuge überprüfen, ggf. austauschen.
	Schnellkupplung undicht.	Kontaktieren Sie Ihr lokales Service-Center. Reparaturen nur von geschultem Personal durchführen lassen.
	Zu wenig Druck am Druckregler (5) eingestellt.	Druckregler weiter aufdrehen.



## 15. Garantiekunde

### Sehr geehrte Kundin, sehr geehrter Kunde,

unsere Produkte unterliegen einer strengen Qualitätskontrolle. Sollte dieses Gerät dennoch einmal nicht einwandfrei funktionieren, bedauern wir dies sehr und bitten Sie, sich an unseren Servicedienst unter der auf dieser Garantiekarte angegebenen Adresse zu wenden. Gern stehen wir Ihnen auch telefonisch über die unten angegebene Servicrufnummer zur Verfügung. Für die Geltendmachung von Garantieansprüchen gilt Folgendes:

- Diese Garantiebedingungen regeln zusätzliche Garantieleistungen. Ihre gesetzlichen Gewährleistungsansprüche werden von dieser Garantie nicht berührt. Unsere Garantieleistung ist für Sie kostenlos.
- Die Garantieleistung erstreckt sich ausschließlich auf Mängel, die auf Material- oder Herstellungsfehler zurückzuführen sind und ist auf die Behebung dieser Mängel bzw. den Austausch des Gerätes beschränkt. Bitte beachten Sie, dass unsere Geräte bestimmungsgemäß nicht für den gewerblichen, handwerklichen oder industriellen Einsatz konstruiert wurden. Ein Garantievertrag kommt daher nicht zustande, wenn das Gerät in Gewerbe-, Handwerks- oder Industriebetrieben sowie bei gleichzusetzenden Tätigkeiten eingesetzt wird. Von unserer Garantie sind ferner Ersatzleistungen für Transportschäden, Schäden durch Nichtbeachtung der Montageanleitung oder aufgrund nicht fachgerechter Installation, Nichtbeachtung der Gebrauchsanleitung (wie durch z. B. Anschluss an eine falsche Netzspannung oder Stromart), missbräuchliche oder unsachgemäße Anwendungen (wie z. B. Überlastung des Gerätes oder Verwendung von nicht zugelassenen Einsatzwerkzeugen oder Zubehör), Nichtbeachtung der Wartungs- und Sicherheitsbestimmungen, Eindringen von Fremdkörpern in das Gerät (wie z. B. Sand, Steine oder Staub), Gewaltanwendung oder Fremdeinwirkungen (wie z. B. Schäden durch Herunterfallen) sowie durch verwendungsgemäßen, üblichen Verschleiß ausgeschlossen.

Der Garantieanspruch erlischt, wenn an dem Gerät bereits Eingriffe vorgenommen wurden.

- Die Garantiezeit beträgt 3 Jahre und beginnt mit dem Kaufdatum des Gerätes. Garantieansprüche sind vor Ablauf der Garantiezeit innerhalb von zwei Wochen, nachdem Sie den Defekt erkannt haben, geltend zu machen. Die Geltendmachung von Garantieansprüchen nach Ablauf der Garantiezeit ist ausgeschlossen. Die Reparatur oder der Austausch des Gerätes führt weder zu einer Verlängerung der Garantiezeit noch wird eine neue Garantiezeit durch diese Leistung für das Gerät oder für etwaige eingebaute Ersatzteile in Gang gesetzt. Dies gilt auch bei Einsatz eines Vor-Ort-Services.
- Für die Geltendmachung Ihres Garantieanspruches wenden Sie sich bitte an die unten angegebene Service-Adresse. Sofern die Reklamation innerhalb der Garantiezeit liegt, werden wir Ihnen einen Retourenschein zur Verfügung stellen, mit dem Sie Ihr defektes Gerät kostenfrei an uns zurücksenden können. Beschreiben Sie uns bitte den Reklamationsgrund möglichst genau. Ist der Defekt des Gerätes von unserer Garantieleistung erfasst, erhalten Sie umgehend ein repariertes oder neues Gerät zurück.

Selbstverständlich beheben wir gegen Erstattung der Kosten auch gerne Defekte am Gerät, die vom Garantiumfang nicht oder nicht mehr erfasst sind. Dazu senden Sie das Gerät bitte an unsere Serviceadresse.

#### Service-Hotline (DE):

+800 4003 4003  
(0,00 EUR/Min.)

#### Service-Hotline (AT):

+800 4003 4003  
(0,00 EUR/Min.)

#### Service-Hotline (CH):

+800 4003 4003  
(0,00 EUR/Min.)

#### Service-E-Mail (DE):

service.DE@schepach.com

#### Service-E-Mail (AT):

service.AT@schepach.com

#### Service-E-Mail (CH):

service.CH@schepach.com

#### Service-Adresse (DE):

schepach Fabrikation von  
Holzbearbeitungsmaschinen GmbH  
Günzburger Str. 69  
DE - 89335 Ichenhausen

#### Service-Adresse (AT):

Gausch Hubert  
Bairisch Kölldorf 267  
AT - 8344 Bad Gleichenberg

#### Service-Adresse (CH):

Klaus-Häberling AG  
Industriestraße 6  
CH - 8610 Uster



Auf [www.lidl-service.com](http://www.lidl-service.com) können Sie diese und viele weitere Handbücher, Produktvideos und Installationssoftware herunterladen.

Mit dem QR-Code gelangen Sie direkt auf die Lidl-Service-Seite ([www.lidl-service.com](http://www.lidl-service.com)) und können mittels der Eingabe der Artikelnummer (IAN) 360588\_2010 ihre Bedienungsanleitung öffnen.



**CE - Declaration of Conformity**  
Translation of the original EC declaration of conformity  
**CE - Konformitätserklärung**  
Originalkonformitätserklärung



**scheppach Fabrikation von Holzbearbeitungsmaschinen GmbH, Günzburger Str. 69, D-89335 Ichenhausen**

DE	erklärt folgende Konformität gemäß EU-Richtlinie und Normen für den Artikel	PL	deklaruje, że produkt jest zgodny z następującymi dyrektywami UE i normami
GB	hereby declares the following conformity under the EU Directive and standards for the following article	LT	pareiškia, taip atitiktis pagal ES direktyvos ir standartai šį straipsnį
FR	déclare la conformité suivante selon la directive UE et les normes pour l'article	HU	az EU-irányelv és a vonatkozó szabványok szerinti következő megfeleléségi nyilatkozatot teszi a termékre
IT	dichiara la seguente conformità secondo le direttive e le normative UE per l'articolo	SI	izjavlja sledenco skladnost z EU-direktivo in normami za artikel
ES	declara la conformidad siguiente según la directiva la UE y las normas para el artículo	CZ	prohlašuje následující shodu podle směrnice EU a norem pro výrobek
PT	declara o seguinte conformidade com a Directiva da UE e as normas para o seguinte artigo	SK	prehlasuje nasledujúcu zhodu podľa smernice EU a noriem pre výrobok
DK	erklærer hermed, at følgende produkt er i overensstemmelse med nedenstående EUDirektiver og standarder	HR	ovime izjavljuje da postoji skladnost prema EU-smjernica i normama za sljedeće artikle
NL	verklaart hierbij dat het volgende artikel voldoet aan de daarop betrekking hebbende EG-richtlijnen en normen	RS	potvrđuje sledeću usklađenost prema smernicama EZ i normama za artikal
FI	vakuuttaa täten, että seuraava tuote täyttää alla esitettyt EU-direktiivit ja standardit	RO	declară următoarea conformitate corespunzător directivelor și normelor UE pentru articolul
SE	försäkras härmed följande överensstämmelse enligt EU-direktiv och standarder för följande artikeln	BG	декларира съответното съответствие съгласно Дирек-тива на ЕС и норми за артикул

Brand / Marke:

**Parkside**

Article name:

**COMPRESSOR - PKO 24 B2**

Art.-Bezeichnung:

**KOMPRESSOR - PKO 24 B2**

Art. no. / Art.-Nr.:

**3906144974-3906144980; 39061449915-39061449916**

Ident. no. / Ident.-Nr.:

**01001 - 94619**

X	2014/29/EU		2004/22/EC		89/686/EC_96/58/EC	X	2000/14/EC_2005/88/EC
	2014/35/EU	X	2014/68/EU		90/396/EC		<b>Annex V</b>
X	2014/30/EU	X	2011/65/EU*				<b>Annex VI</b> Noise: measured $L_{WA} = 92.9$ dB(A); guaranteed $L_{WA} = 97$ dB(A) P = KW; L/Ø = cm Notified Body: TÜV SÜD Industrie Service GmbH Westendstrasse 199; 80686 München Notified Body No.: 0036
X	2006/42/EC						2010/26/EC
							Emission. No:

Standard references:

**EN 1012-1:2010; EN 60204-1:2018; EN 61000-6-1:2007; EN 61000-6-3:2007/A1:2011; EN 50581:2012; EN 286-1:1998/A1:2002**

This declaration of conformity is issued under the sole responsibility of the manufacturer.  
Die alleinige Verantwortung für die Ausstellung dieser Konformitätserklärung trägt der Hersteller.

\* The object of the declaration described above fulfils the regulations of the directive 2011/65/EU of the European Parliament and Council from 8th June 2011, on the restriction of the use of certain hazardous substances in electrical and electronic equipment.  
\* Der oben beschriebene Gegenstand der Erklärung erfüllt die Vorschriften der Richtlinie 2011/65/EU des Europäischen Parlaments und des Rates vom 8. Juni 2011 zur Beschränkung der Verwendung bestimmter gefährlicher Stoffe in Elektro- und Elektronikgeräten.

Ichenhausen, den 16.02.2021

Unterschrift / Andreas Pecher / Head of Project Management

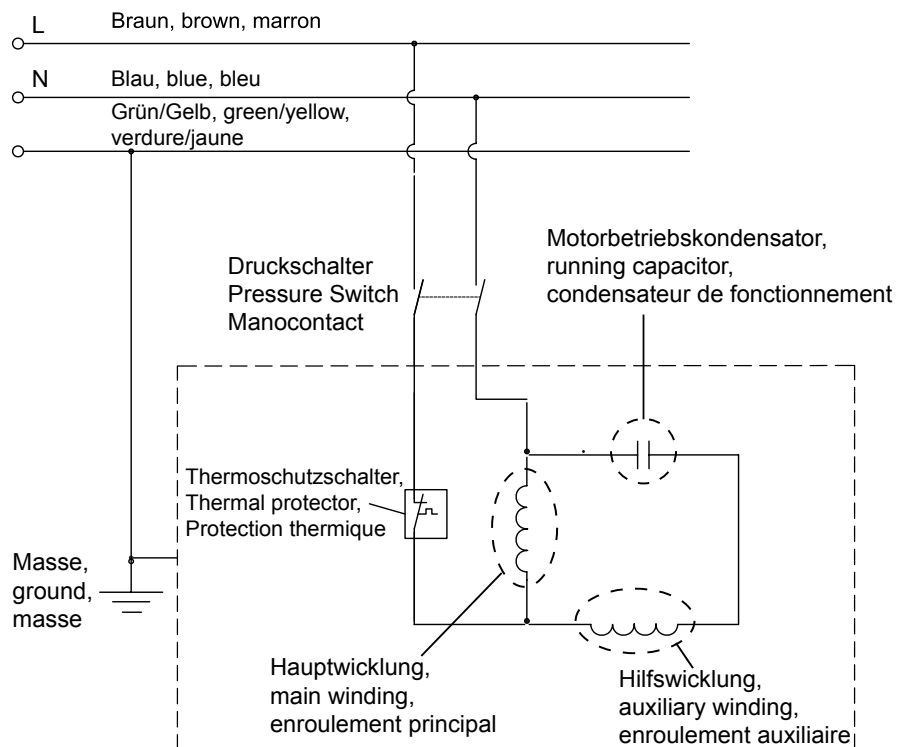
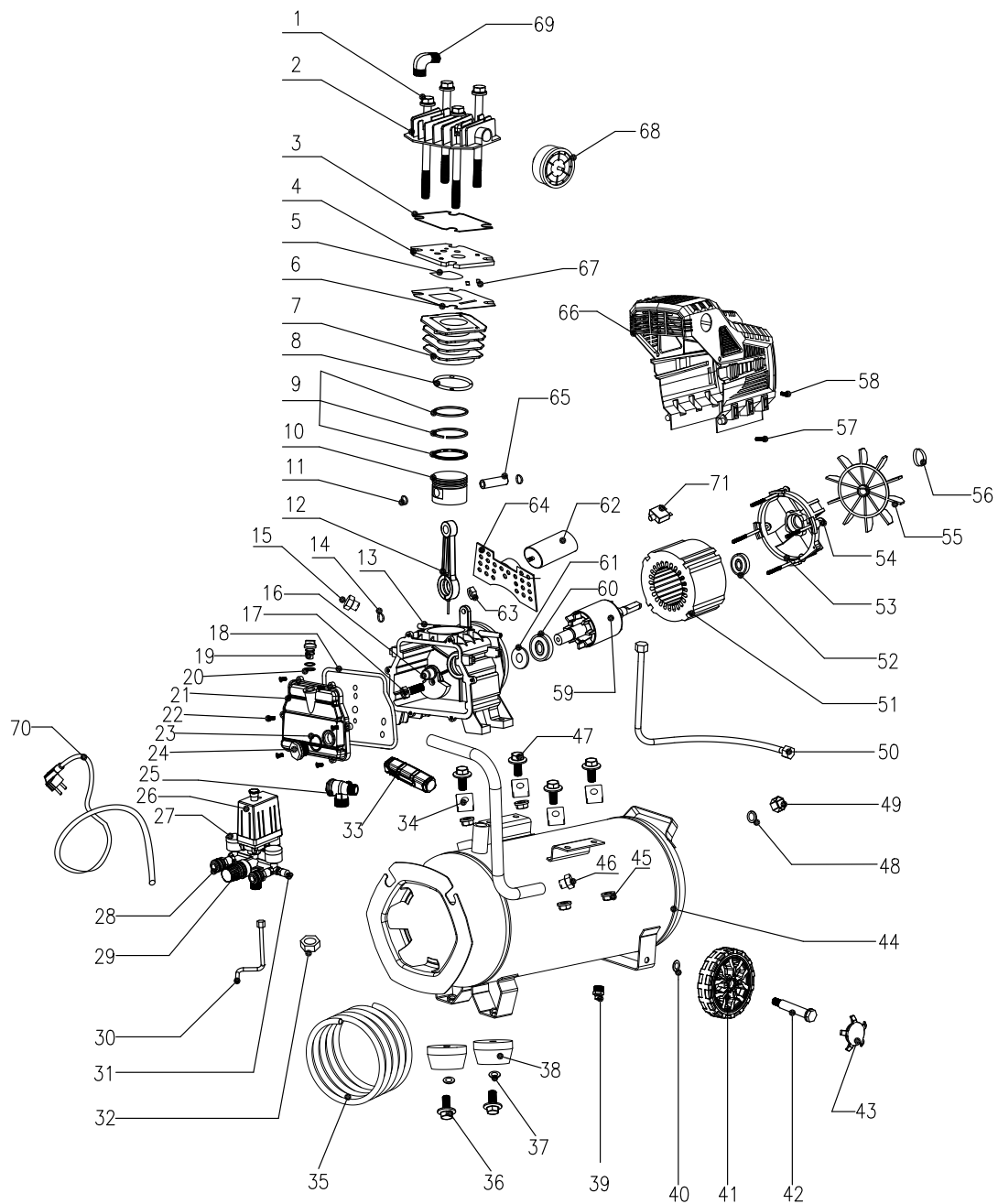
**First CE: 2019**  
**Subject to change without notice**

**Documents registrar:** Thomas Schuster  
Günzburger Str. 69, D-89335 Ichenhausen













**SCHEPPACH FABRIKATION VON HOLZBEARBEITUNGSMASCHINEN GMBH**

Günzburger Str. 69  
D-89335 Ichenhausen



Last information update · Információk állása · Stanje informacij · Stav informací · Stav informácií · Stand der Informationen  
Update: 02 / 2021 · Ident.-No.: 360588\_2010\_3906144977